

Designed for Cobots

Created  
for you

More info at

[murrplastik.com](http://murrplastik.com)

**murrplastik**

Simply Smart Systems



	Page
<b>Dresspacks for ABB Cobots</b>	
ABB CRB 15000 FHS-SH Kit	1
<b>Dresspacks for Doosan Cobots</b>	
Doosan A0509 FHS Kit Size 29	2
Doosan M1013 FHS Kit Size 29	3
<b>Dresspacks for Fanuc Cobots</b>	
Fanuc CRX-10IA FHS-SH Kit	4
Fanuc CRX-10IA FHS-C Kit Size 29	5
Fanuc CRX-10IA FHS-C Kit Size 36	6
<b>Dresspacks for Panda Cobots</b>	
Panda FHS-C Kit	7
Panda FHS-SH Kit	8
<b>Dresspacks for Mitsubishi Cobots</b>	
Mitsubishi RV5 FHS-SH Kit	9
Mitsubishi RV5 FHS-C Kit	10
Mitsubishi RV5 FHS-UHE Kit	11
<b>Dresspacks for Nachi Cobots</b>	
Nachi CZ10 GHS Kit Size 29	12
<b>Dresspacks for Schneider</b>	
Schneider LXMRL12S000 FSH-C Kit	13
Schneider LXMRL12S000 FSH-SH Kit	14
Schneider LXMRL12S000 FSH-SH RS Kit	15
Schneider LXMRL12S000 FSH-C RS kit	16
<b>Dresspacks for Techman Cobots</b>	
Techman TM5 FHS-C Kit	17
Techman TM12/TM14 FHS-C Kit	18
Techman TM5 FHS-UHE Kit	19
Techman TM12/TM14 FHS-UHE Kit	20
Techman TM5 FHS-SH Kit	21
Techman TM12/TM14 FHS-SH Kit	22
Techman TM5 FHS-RS Kit	23
Techman TM12/TM14 FHS-RS Kit	24
Techman TM12/TM14 FHS-RS Size 36 Kit	25

	Page
<b>Dresspacks for UR Cobots</b>	
UR FHS-C Set UR3 Kit	26
UR FHS-C Set UR5 Kit	27
UR FHS-UHE Set UR10 Kit	28
UR FHS-UHE Set UR5 Kit	29
UR FHS-SH Set UR3 Kit	30
UR FHS-SH Set UR5 Kit	31
UR FHS-SH Set UR10 Kit	32
UR FHS-UHE Set UR3 Kit	33
UR FHS-RS Set UR5 Kit	34
UR FHS-RS Set UR10 Kit	35
UR FHS-UHE Set UR16e Kit	36
UR FHS-SH Set UR16e Kit	37
UR FHS-SHS Set UR5 Kit	38
UR FHS-SH Set UR5 Kit	39
UR FHS-SHS Set UR10/UR16e Kit	40
UR FHS-SHS LS Set UR10 Kit	41
UR FHS-RS Set UR10 Kit	42
UR FHS-UHE LS Set UR10 Kit	43
UR FHS-UHE Set UR10 Kit	44
<b>Dresspacks for Yaskawa Cobots</b>	
Yaskawa HC10 FHS-C Kit Size 29	45
Yaskawa HC20DTP FHS-C Kit	46
Yaskawa HC10DTP FHS-SH with strike guards Kit	47
Yaskawa HC10DTP FHS-C Kit	48
Yaskawa HC20DT FHS-C Kit	49
Yaskawa HC30PL FHS-SH Kit Size 29	50
<b>Universal Dresspacks for Cobots</b>	51
<b>Full Product Lineup</b>	52

---

# LIGHT DUTY FLEXIBLE HOLDER SYSTEM

## ABB CRB 15000 FHS-SH KIT, A1-A6

PART NUMBER NO.: 83800639



Customer responsible for mounting at J1.

**ORDER NO.**  
83800639



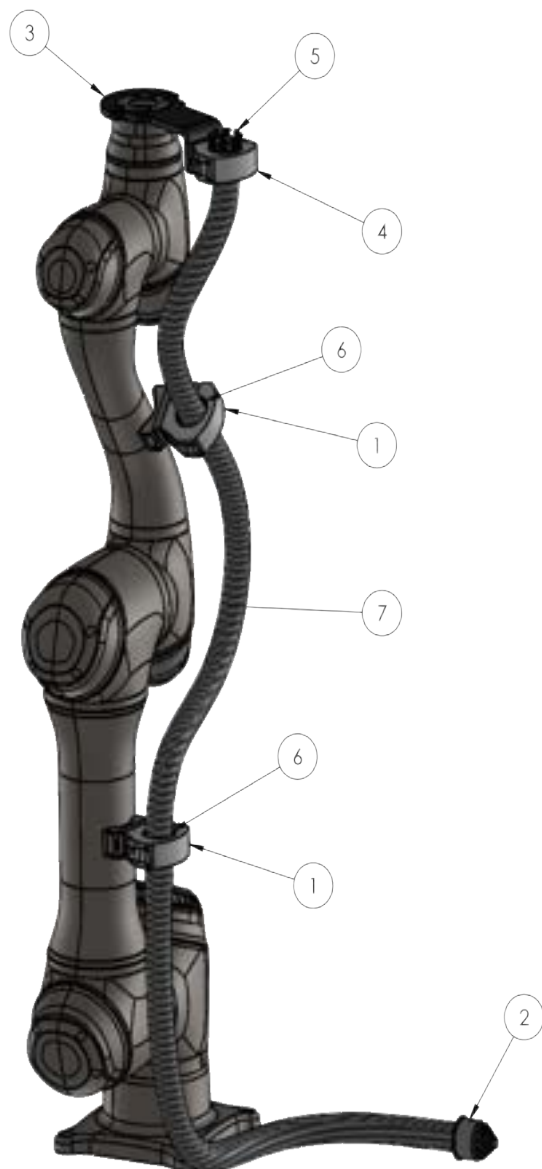
POS.	PART NUMBER	DESCRIPTION	QTY
<b>1</b>	83952699	Wrist Support 63mm Diameter	1
<b>2</b>	83692260	KEG/ZL 29 End Ball Joint	1
<b>3</b>	83691462	Size 29 System Holder	1
<b>4</b>	83693425	FHS-SH 450 with System Holder	3
<b>5</b>	83723460	ET 29 (end grommet)	1
<b>6</b>	83182260	EWX-PAE-LS Size 29 Conduit	2.1m
<b>7</b>	83691660	Size 29 Fixed Ball Joint	3

# LIGHT DUTY FLEXIBLE HOLDER SYSTEM

## DOOSAN A0509 FHS KIT SIZE 29, A1-A6

PART NUMBER NO.: 83801080

**DOOSAN**



Note: Hook and loop straps not shown  
Drawing for illustration purposes only.

**ORDER NO.**  
83801080

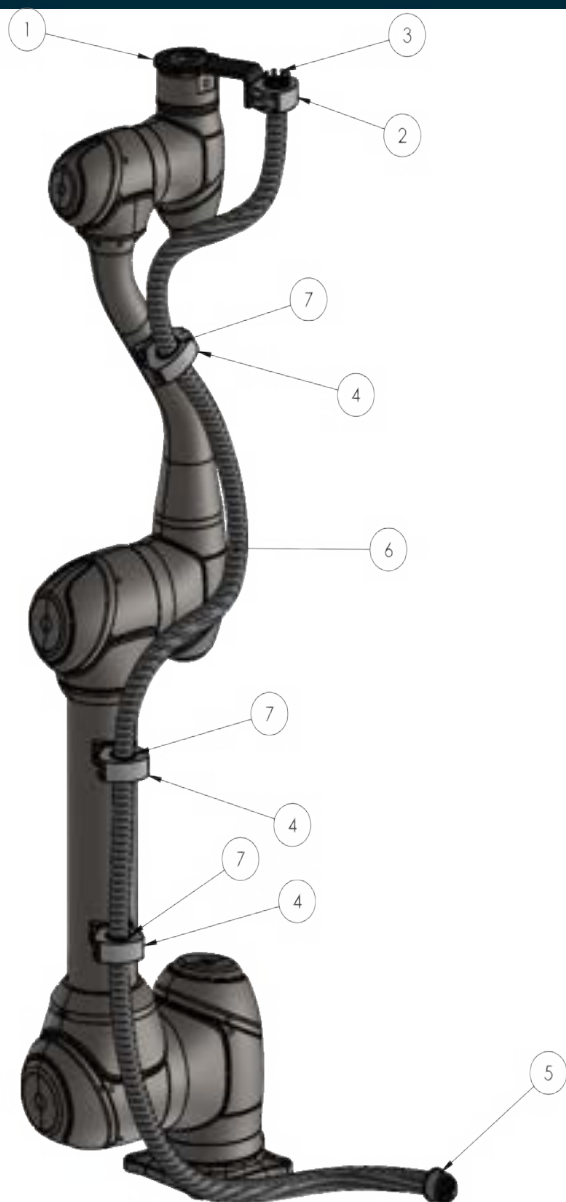


Wrist support might differ from image

POS.	PART NUMBER	DESCRIPTION	QTY
<b>1</b>	83693423	FHS-SH 350 w/ System Holder	2
<b>2</b>	83723460	ET 29 (end grommet)	1
<b>3</b>	63MM-WRIST	Wrist Support Size 63 mm	1
<b>4</b>	83691462	Size 29 System Holder	1
<b>5</b>	83692260	Size 29 Ball Joint KEG/ZL	1
<b>6</b>	83691660	Size 29 Fixed Ball Joint	2
<b>7</b>	83182060	EWX PAE Size 29	2m

# LIGHT DUTY FLEXIBLE HOLDER SYSTEM DOOSAN M1013 FHS KIT SIZE 29, A1-A6 PART NUMBER NO.: 83801081

**DOOSAN**



Note: Hook and loop straps not shown  
Drawing for illustration purposes only.

**ORDER NO.**  
83801081



Wrist support might differ from image

POS.	PART NUMBER	DESCRIPTION	QTY
<b>1</b>	63MM-WRIST	Wrist Support Size 63 mm	1
<b>2</b>	83691462	Size 29 System Holder	1
<b>3</b>	83692260	Size 29 Ball Joint KEG/ZL	1
<b>4</b>	83693423	FHS-SH 350 w/ System Holder	2
<b>5</b>	83723460	ET 29 (end grommet)	1
<b>6</b>	83182060	EWX PAE Size 29	2m
<b>7</b>	83691660	Size 29 Fixed Ball Joint	2



# LIGHT DUTY FLEXIBLE HOLDER SYSTEM FANUC CRX-10IA FHS-SH KIT, A1-A6 PART NUMBER NO.: 83800510

Note: Hook and loop straps not shown  
Drawing for illustration purposes only.

**FANUC**



**ORDER NO.**

**83800510**



POS.	PART NUMBER	DESCRIPTION	QTY
<b>1</b>	83693425	FHS-SH Bracket with System Holder 450mm	1
<b>2</b>	83182260	EWX-PAE-LS P29 Black Conduit	1
<b>3</b>	83693427	FHS-SH Bracket with system holder 550mm	2
<b>4</b>	83691660	Size 29 Fixed Ball Joint	3
<b>5</b>	83723460	End Grommet Size 29	1
<b>6</b>	83182260	EWX-PAE-LS P29 Black Conduit	3.5m
<b>7</b>	83693423	FHS-SH Bracket with System Holder 350mm	1

# LIGHT DUTY FLEXIBLE HOLDER SYSTEM FANUC CRX-10IA FHS-C KIT, A1-A6 PART NUMBER NO.: 83800511

**FANUC**



Customer responsible  
for mounting to J1

**ORDER NO.**  
83800511

Note: Velcro straps not shown  
Drawing for illustration purposes only.

POS.	PART NUMBER	DESCRIPTION	QTY
<b>1</b>	83693445	FHS-C Bracket with 450mm Hook and Loop Strap	1
<b>2</b>	83693447	FHS-C Bracket with 550mm Hook and Loop Strap	2
<b>3</b>	83723460	End Grommet Size 29	1
<b>4</b>	83182260	EWX-PAE-LS P29 Black Conduit	2
<b>5</b>	83693443	FHS-C Bracket with 350mm Hook and Loop	1



# LIGHT DUTY FLEXIBLE HOLDER SYSTEM FANUC CRX-10IA FHS-C KIT SIZE 36, A1-A6 PART NUMBER NO.: 83800572

**FANUC**



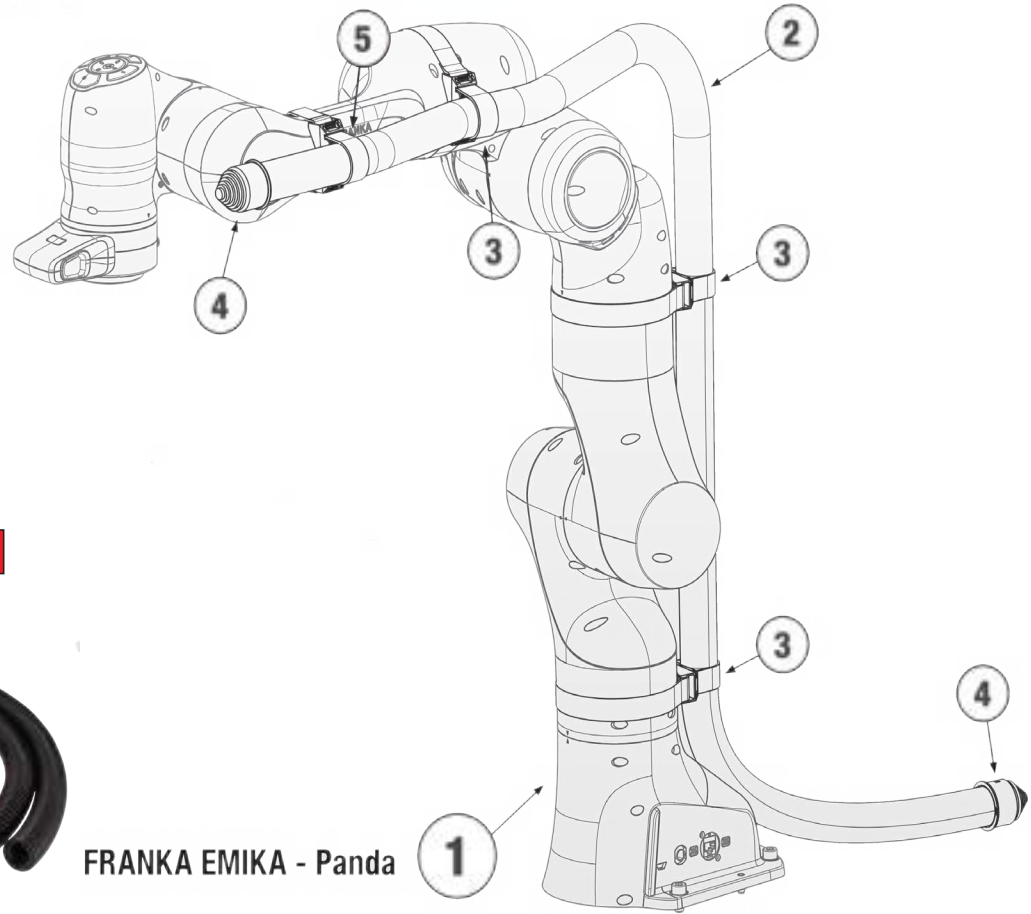
Note: Hook and loop straps not shown  
Drawing for illustration purposes only.

POS.	PART NUMBER	DESCRIPTION	QTY
<b>1</b>	83693445	FHS-C Bracket with 450mm Hook and Loop Strap	1
<b>2</b>	83693447	FHS-C Bracket with 550mm Hook and Loop Strap	2
<b>3</b>	83693449	FHS-C Bracket with 750mm Hook and Loop Strap	1
<b>4</b>	83723462	ET 36 end grommet	2
<b>5</b>	83182062	EWX-PAE Size 36 Conduit	3.5m

# LIGHT DUTY FLEXIBLE HOLDER SYSTEM

## PANDA FHS-C KIT, A1-A6

PART NUMBER NO.: 83693511



**ORDER NO.**  
83693511



FRANKA EMIKA - Panda

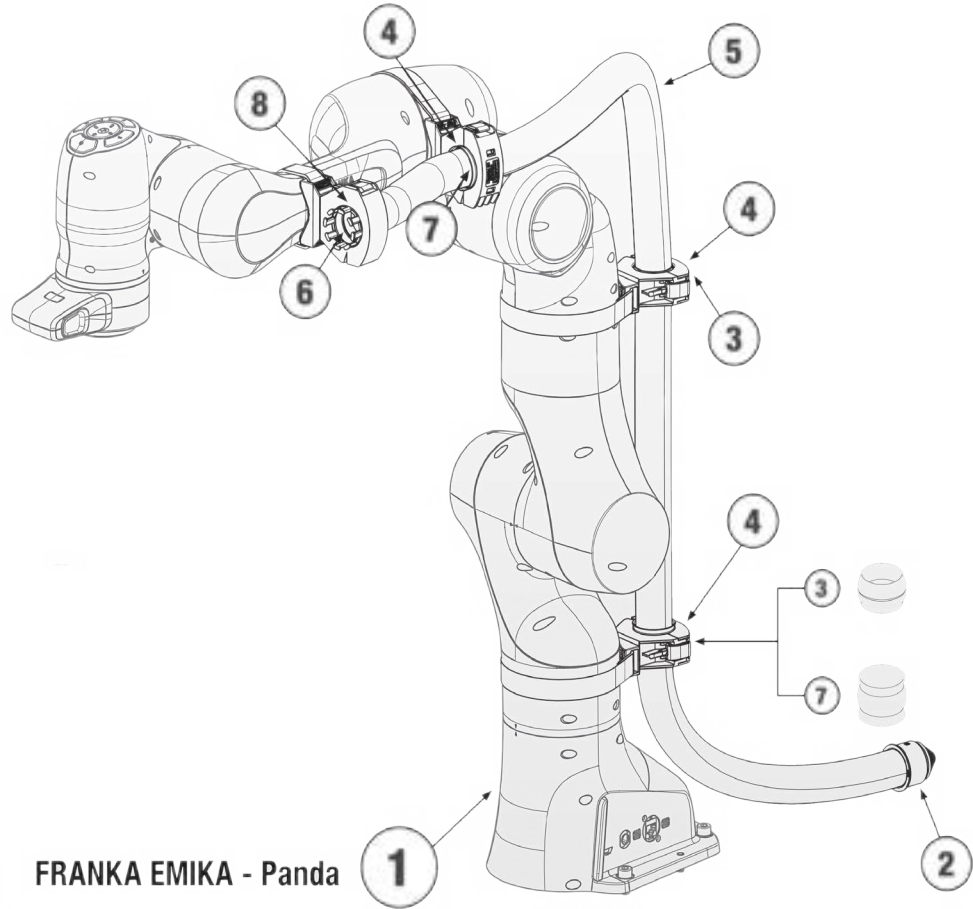
Drawing for illustration purposes only.

POS.	PART NUMBER	DESCRIPTION	QTY
<b>1</b>		Franka Emika - Panda	
<b>2</b>	83182060	EWX-PAE M32/P29	3m
<b>3</b>	83693447	FHS-C 550	3
<b>4</b>	83723460	ET 29 end grommet	2
<b>5</b>	83693443	FHS-C 350	1

# LIGHT DUTY FLEXIBLE HOLDER SYSTEM

## PANDA FHS-SH KIT, A1-A6

PART NUMBER NO.: 83693512



**ORDER NO.**  
83693512



FRANKA EMIKA - Panda

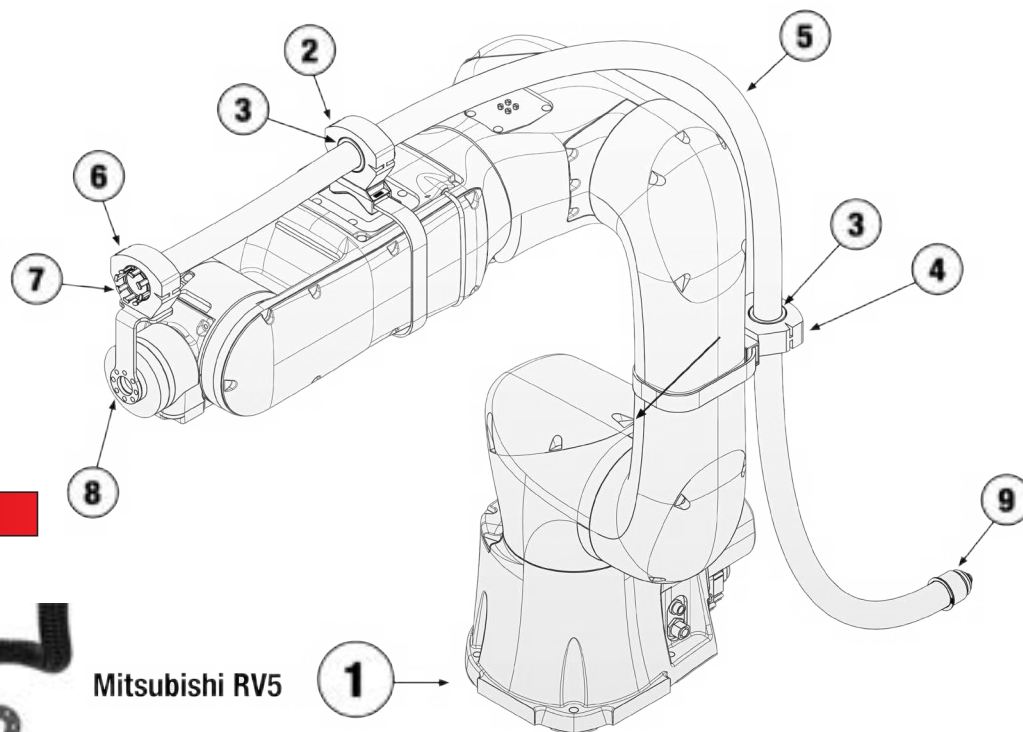
Drawing for illustration purposes only.

POS.	PART NUMBER	DESCRIPTION	QTY
<b>1</b>		Franka Emika - Panda	
<b>2</b>	83723460	ET 29 end grommet	1
<b>3</b>	83691660	KMG/F-M32 Fixed Ball Joint	2
<b>4</b>	83693425	FHS-SH 450	3
<b>5</b>	83182060	EWX-PAE M32/P29 Conduit	3m
<b>6</b>	83182260	KEG/ZL-M32 End Ball Joint	1
<b>7</b>	83691860	KMG/G-M32 Sliding Ball Joint	2
<b>8</b>	83693424	FHS-SH 300	1

# LIGHT DUTY FLEXIBLE HOLDER SYSTEM

## MITSUBISHI RV5 FHS-SH KIT, A1-A6

PART NUMBER NO.: 83693520



**ORDER NO.**  
83693520



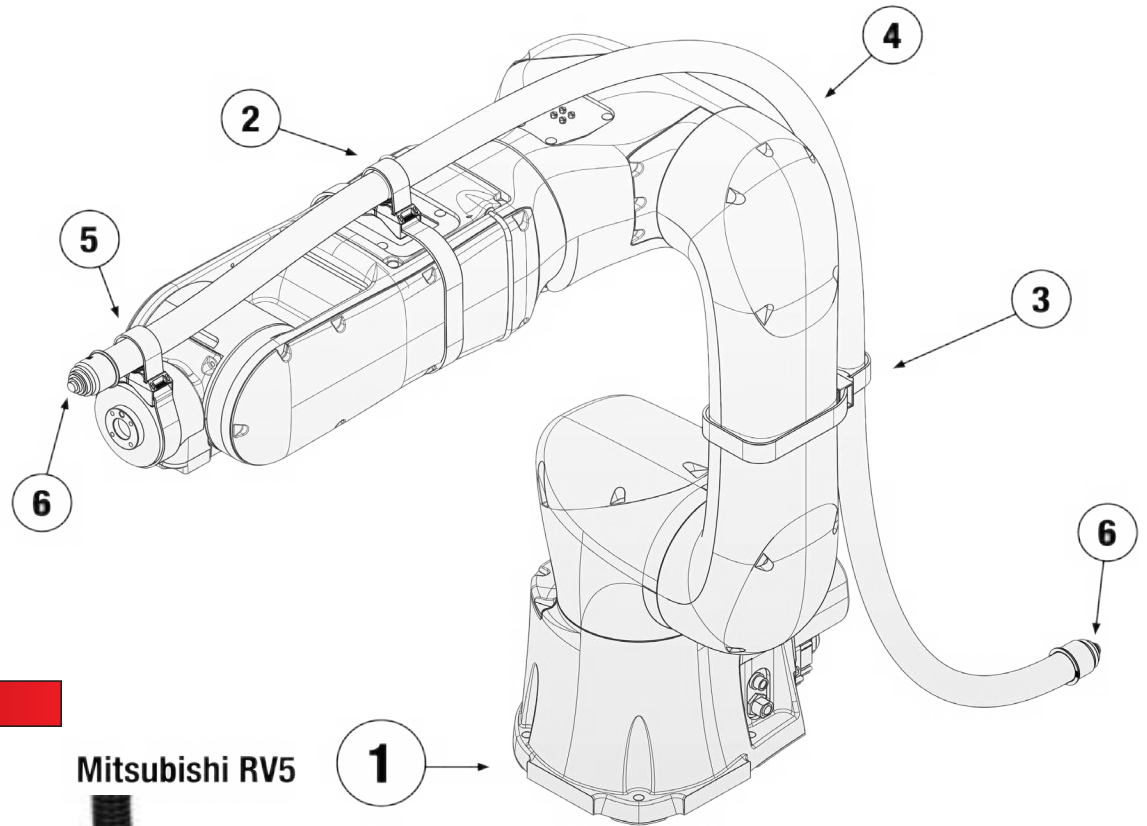
Mitsubishi RV5

Drawing for illustration purposes only.

POS.	PART NUMBER	DESCRIPTION	QTY
<b>1</b>		Mitsubishi RV5	
<b>2</b>	83693427	FHS-SH Bracket with 550mm Holder and Loop Strap	1
<b>3</b>	83691658	KMG/F-M25 Fixed Ball Joint	2
<b>4</b>	83693429	FHS-SH Bracket with 750mm Holder and Loop Strap	1
<b>5</b>	83203058	EWX-PP-LS M25/P21 Conduit	1
<b>6</b>	83691462	System Holder SH-P / M25-M32	1
<b>7</b>	83692258	KEG/ZL-M25 End Ball Joint	1
<b>8</b>	83692753	Bracket Axis 6 Wrist Support	1
<b>9</b>	83723458	End Grommet Size 21	1

# LIGHT DUTY FLEXIBLE HOLDER SYSTEM MITSUBISHI RV5 FHS-C KIT, A1-A6

PART NUMBER NO.: 83693521



**ORDER NO.**  
83693521

Mitsubishi RV5



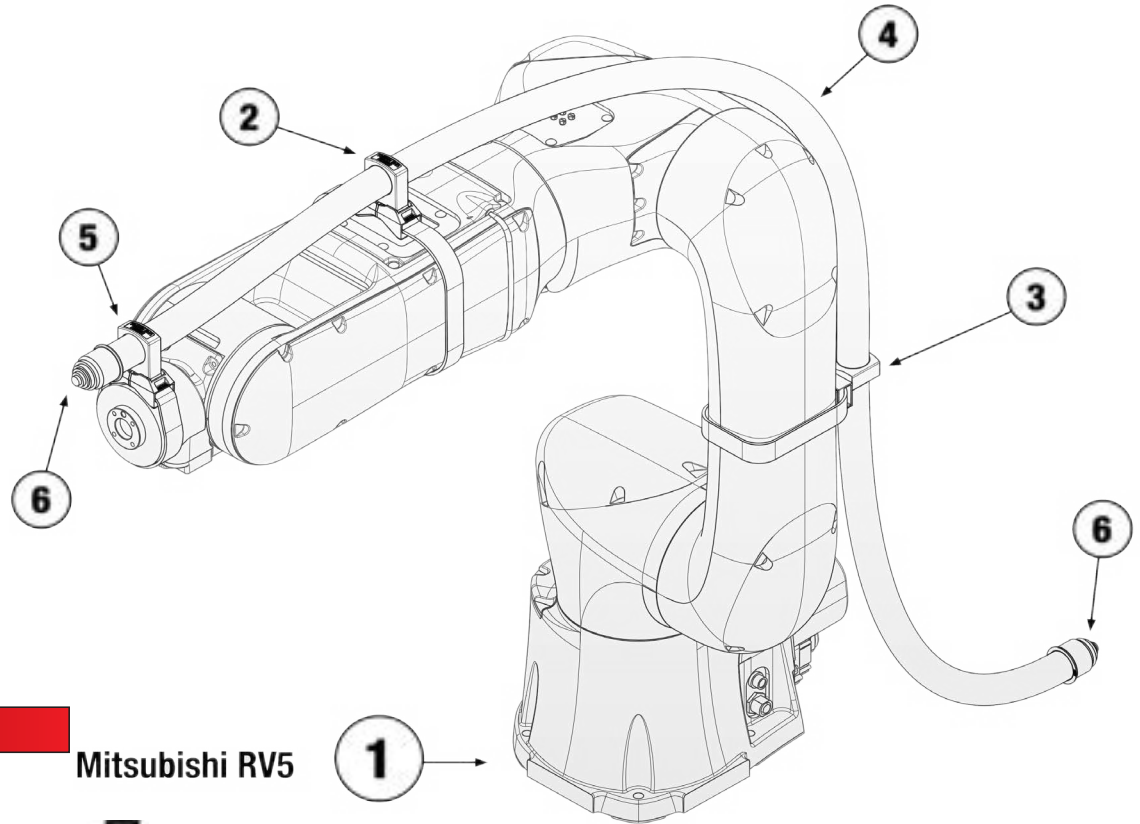
Drawing for illustration purposes only.

POS.	PART NUMBER	DESCRIPTION	QTY
<b>1</b>		Mitsubishi RV5	
<b>2</b>	83693447	FHS-C Bracket with 550mm Hook and Loop Strap	1
<b>3</b>	83693449	FHS-C Bracket with 750mm Hook and Loop Strap	1
<b>4</b>	83203058	EWX-PP-LS M25/P21 Conduit	1
<b>5</b>	83693445	FHS-C Bracket with 450mm Hook and Loop Strap	1
<b>6</b>	83723458	End Grommet Size 21	2

# LIGHT DUTY FLEXIBLE HOLDER SYSTEM

## MITSUBISHI RV5 FHS-UHE KIT, A1-A6

PART NUMBER NO.: 83693522



**ORDER NO.**  
83693522

Mitsubishi RV5



Drawing for illustration purposes only.

POS.	PART NUMBER	DESCRIPTION	QTY
<b>1</b>		Mitsubishi RV5	
<b>2</b>	83693463	FHS-UHE Bracket with 550mm Holder and Loop Strap	1
<b>3</b>	83693464	FHS-UHE Bracket with 550mm Holder and Loop Strap	1
<b>4</b>	83203058	EWX-PP-LS M25/P21 Conduit	1
<b>5</b>	83693461	FHS-UHE Bracket with 350mm Holder and Loop Strap	1
<b>6</b>	83723458	End Grommet Size 21	2

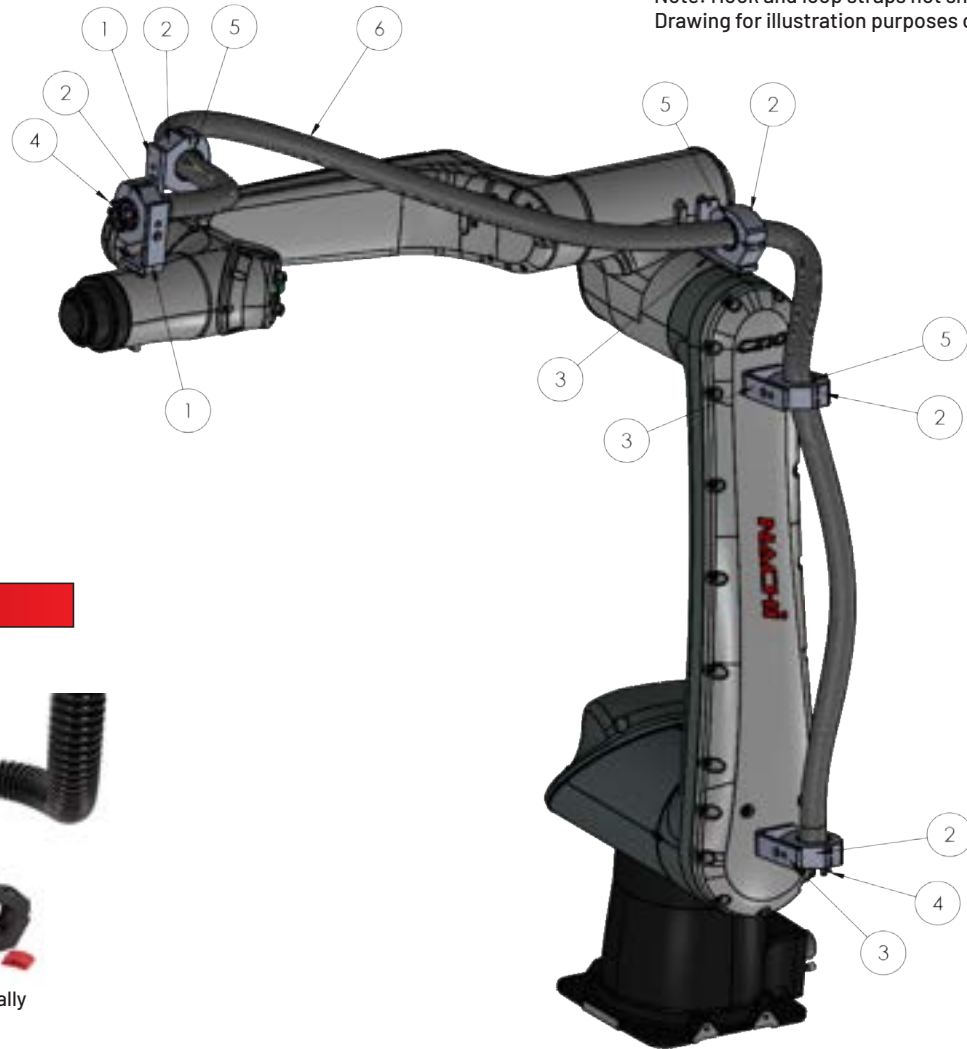


# LIGHT DUTY FLEXIBLE HOLDER SYSTEM

## NACHI CZ10 FHS KIT SIZE 29, A1-A6

PART NUMBER NO.: 83800809

**NACHI**



**ORDER NO.**  
83800809



Items 1 and 3 not shown individually

POS.	PART NUMBER	DESCRIPTION	QTY
<b>1</b>	83800799	A3-A6 System Holder L-joint	2
<b>2</b>	83691462	Size 29 System Holder	5
<b>3</b>	83800798	A1-A3 System Holder L-joint	3
<b>4</b>	83692260	KEG-ZL M32/P29 Strain Relief	2
<b>5</b>	83691660	Size 29 Fixed Ball Joint	3
<b>6</b>	83182060	EWX-PAE Size 29 Conduit	2.1m

# LIGHT DUTY FLEXIBLE HOLDER SYSTEM

## SCHNEIDER LXMRL12S000 FHS-C KIT, A1-A6

### PART NUMBER NO.: 83801178



www.murrplastik.com



NOTE: CUSTOMER IS RESPONSIBLE FOR MOUNTING THE SYSTEM HOLDER AT J1

**ORDER NO.**  
83801178



Item 1 is not shown individually

Note: Hook and loop straps not shown  
Drawing for illustration purposes only.

POS.	PART NUMBER	DESCRIPTION	QTY
<b>1</b>	83800695	63mm Diameter Wrist Support	1
<b>2</b>	83691462	Size 29 System Holder	2
<b>3</b>	83692260	Size 29 Ball Joint KEG/ZL	2
<b>4</b>	83693443	FHS-C Bracket 350mm	4
<b>5</b>	83182060	EWX PAE Size 29	3.5m
<b>6</b>	83691260	EWX PAE Size 29 Strike Guard	4

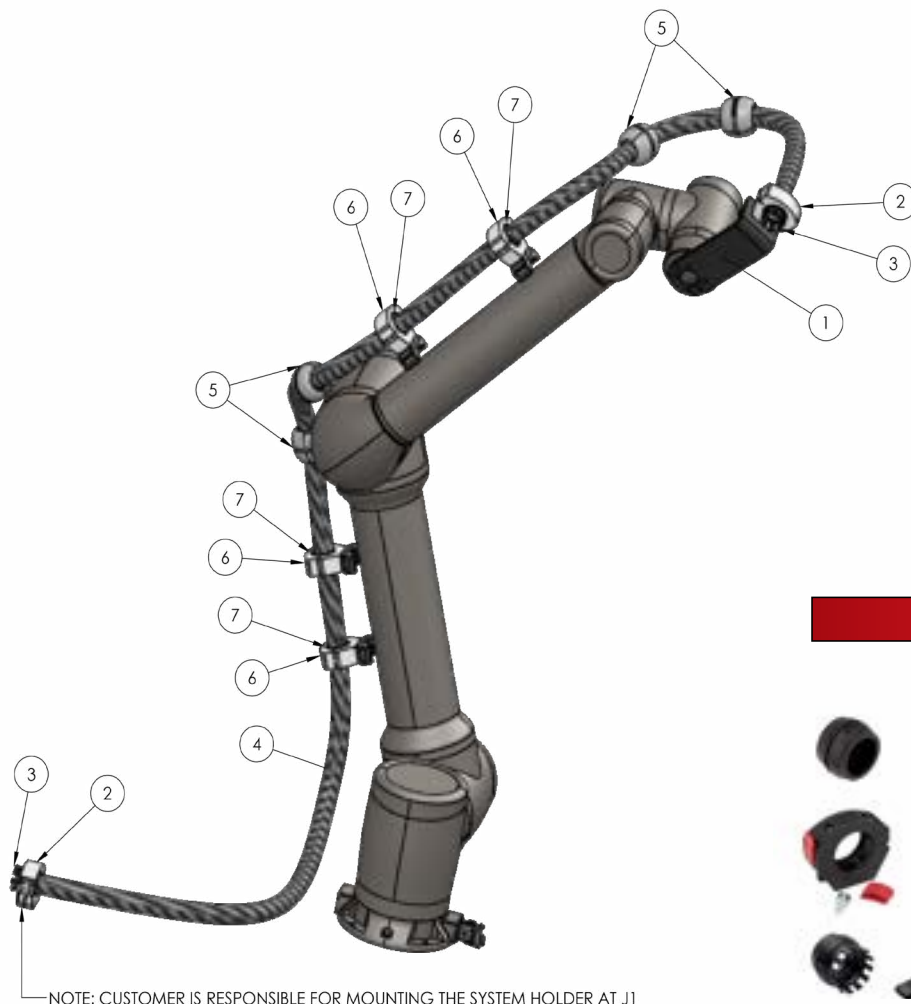
# MEDIUM DUTY FLEXIBLE HOLDER SYSTEM

## SCHNEIDER LXMRL12S000 FHS-SH KIT, A1-A6

### PART NUMBER NO.: 83801179



www.murrplastik.com



NOTE: CUSTOMER IS RESPONSIBLE FOR MOUNTING THE SYSTEM HOLDER AT J1

**ORDER NO.**  
83801179



Item 1 is not shown individually

Note: Hook and loop straps not shown  
Drawing for illustration purposes only.

POS.	PART NUMBER	DESCRIPTION	QTY
<b>1</b>	83800695	63mm Diameter Wrist Support	1
<b>2</b>	83691462	Size 29 System Holder	2
<b>3</b>	83692260	Size 29 Ball Joint KEG/ZL	2
<b>4</b>	83182060	EWX PAE conduit Size 29	3.5m
<b>5</b>	83691260	EWX-PAE Size 29 Strike Guard	4
<b>6</b>	83693423	FHS-SH 350 w/ System Holder	4
<b>7</b>	83691660	Size 29 Fixed Ball Joint	4

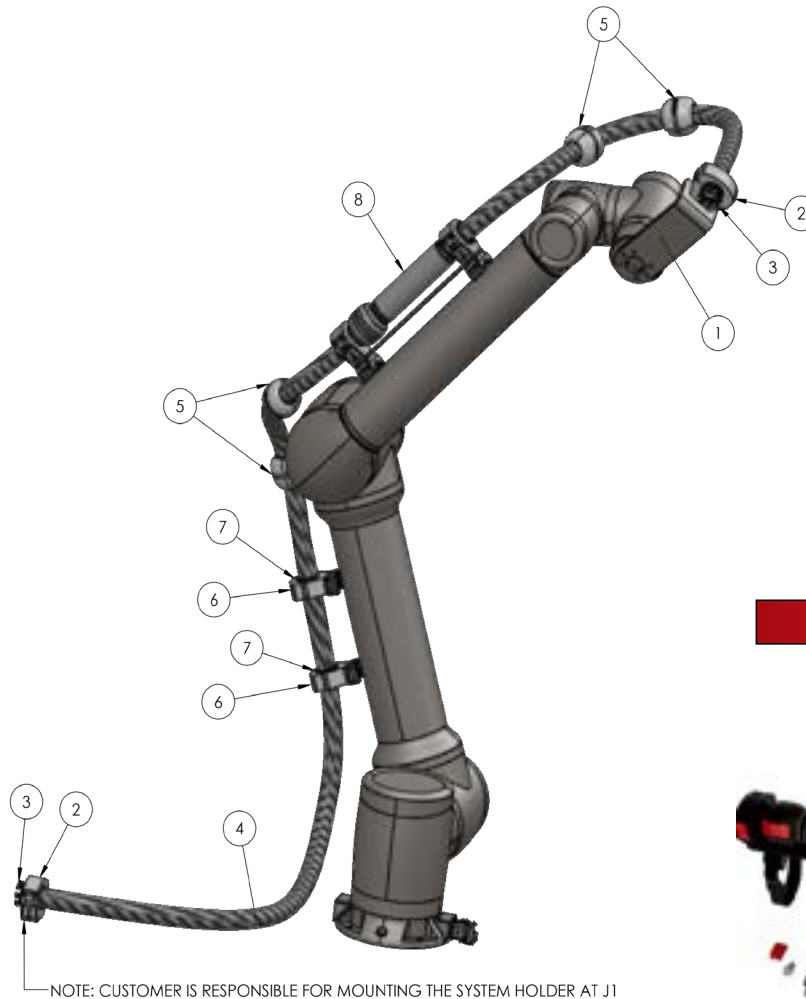
# LIGHT DUTY FLEXIBLE HOLDER SYSTEM

## SCHNEIDER LXMR12S000 FHS-SH RS KIT, A1-A6

### PART NUMBER NO.: 83801180



www.murrplastik.com



NOTE: CUSTOMER IS RESPONSIBLE FOR MOUNTING THE SYSTEM HOLDER AT J1

**ORDER NO.**  
83801180



Item 1 is not shown individually

Note: Hook and loop straps not shown  
Drawing for illustration purposes only.

POS.	PART NUMBER	DESCRIPTION	QTY
<b>1</b>	83800695	63mm Diameter Wrist Support	1
<b>2</b>	83691462	Size 29 System Holder	2
<b>3</b>	83692260	Size 29 Ball Joint KEG/ZL	2
<b>4</b>	83182060	EWX PAE conduit Size 29	3.5m
<b>5</b>	83691260	EWX-PAE Size 29 Strike Guard	4
<b>6</b>	83693423	FHS-SH 350 w/ System Holder	2
<b>7</b>	83691660	Size 29 Fixed Ball Joint	2
<b>8</b>	83693414	FHS Recirculation System Size 29 EWX	1

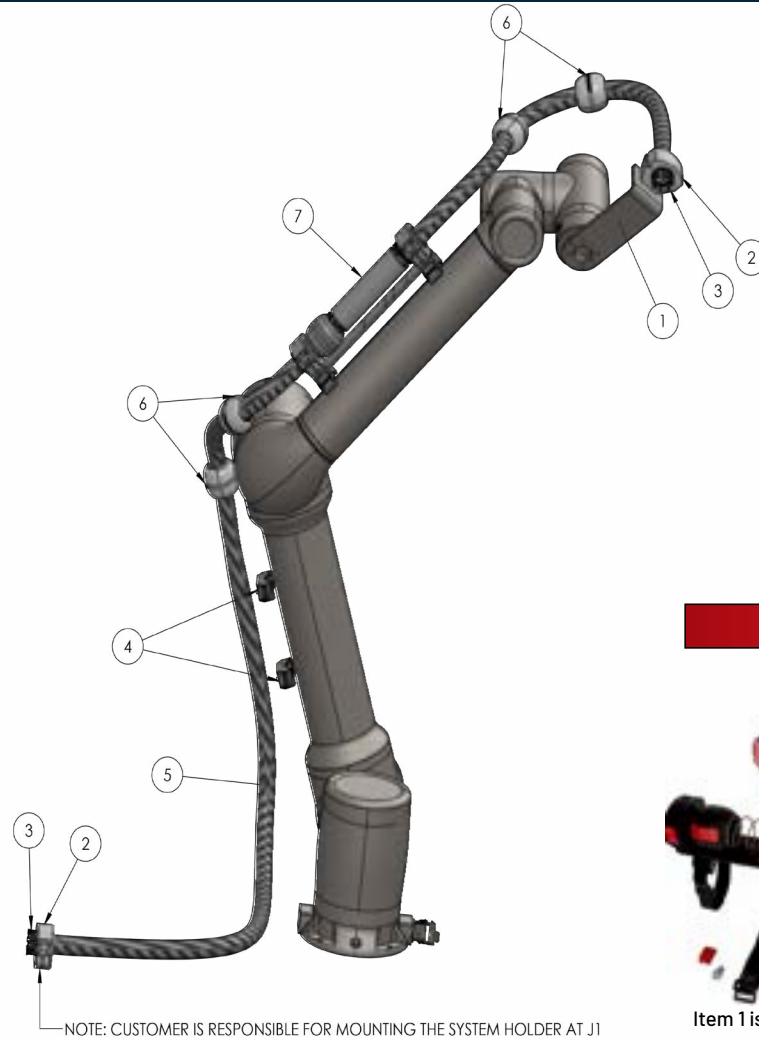
# LIGHT DUTY FLEXIBLE HOLDER SYSTEM

## SCHNEIDER LXMRL12S000 FHS-C RS KIT, A1-A6

### PART NUMBER NO.: 83801181



www.murrplastik.com



NOTE: CUSTOMER IS RESPONSIBLE FOR MOUNTING THE SYSTEM HOLDER AT J1

Note: Hook and loop straps not shown  
Drawing for illustration purposes only.

**ORDER NO.**

**83801181**



Item 1 is not shown individually

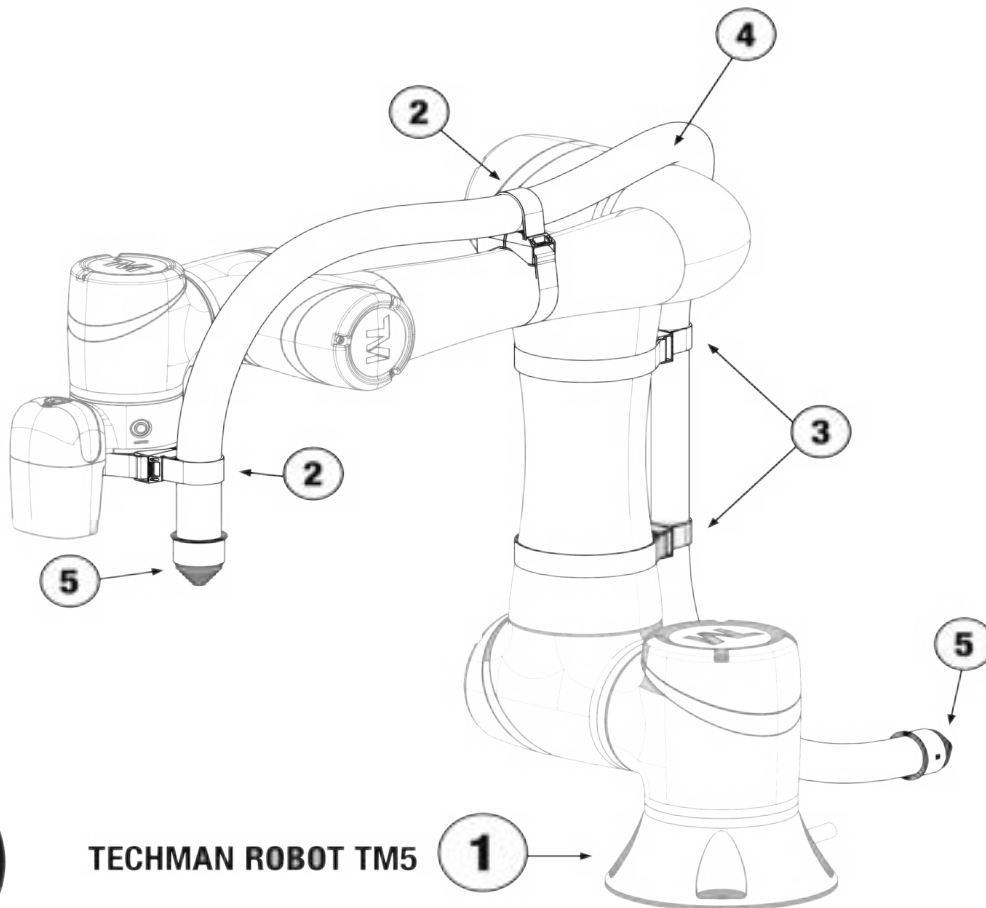
POS.	PART NUMBER	DESCRIPTION	QTY
<b>1</b>	83800695	63mm Diameter Wrist Support	1
<b>2</b>	83691462	Size 29 System Holder	2
<b>3</b>	83692260	Size 29 Ball Joint KEG/ZL	2
<b>6</b>	83693443	FHS-C Bracket 350mm	2
<b>4</b>	83182060	EWX PAE conduit Size 29	3.5m
<b>5</b>	83691260	EWX-PAE Size 29 Strike Guard	4
<b>7</b>	83693414	FHS Recirculation System Size 29 EWX	1

# LIGHT DUTY FLEXIBLE HOLDER SYSTEM

## TECHMAN TM5 FHS-C KIT, A1-A6

PART NUMBER NO.: 83693500

**TM** TECHMAN ROBOT



**ORDER NO.**  
83693500



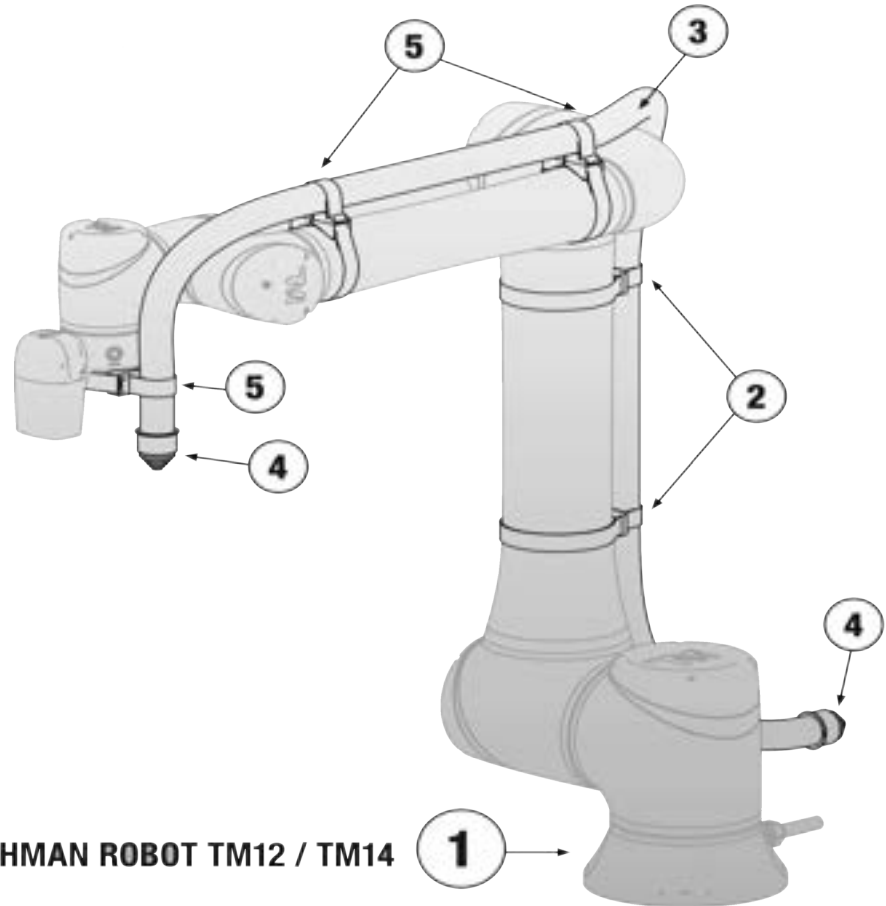
Drawing for illustration purposes only.

POS.	PART NUMBER	DESCRIPTION	QTY
<b>1</b>		Techman Robot TM5	
<b>2</b>	83693445	FHS-C Bracket with 450mm Hook and Loop Strap	2
<b>3</b>	83693447	FHS-C Bracket with 550mm Hook and Loop Strap	2
<b>4</b>	83203060	EWX-PP-LS M32/P29 Conduit	2m
<b>5</b>	83723460	ET 29 end grommet	2



# LIGHT DUTY FLEXIBLE HOLDER SYSTEM TECHMAN TM12/TM14 FHS-C KIT, A1-A6 PART NUMBER NO.: 83693501

## TM TECHMAN ROBOT



**ORDER NO.**

83693501



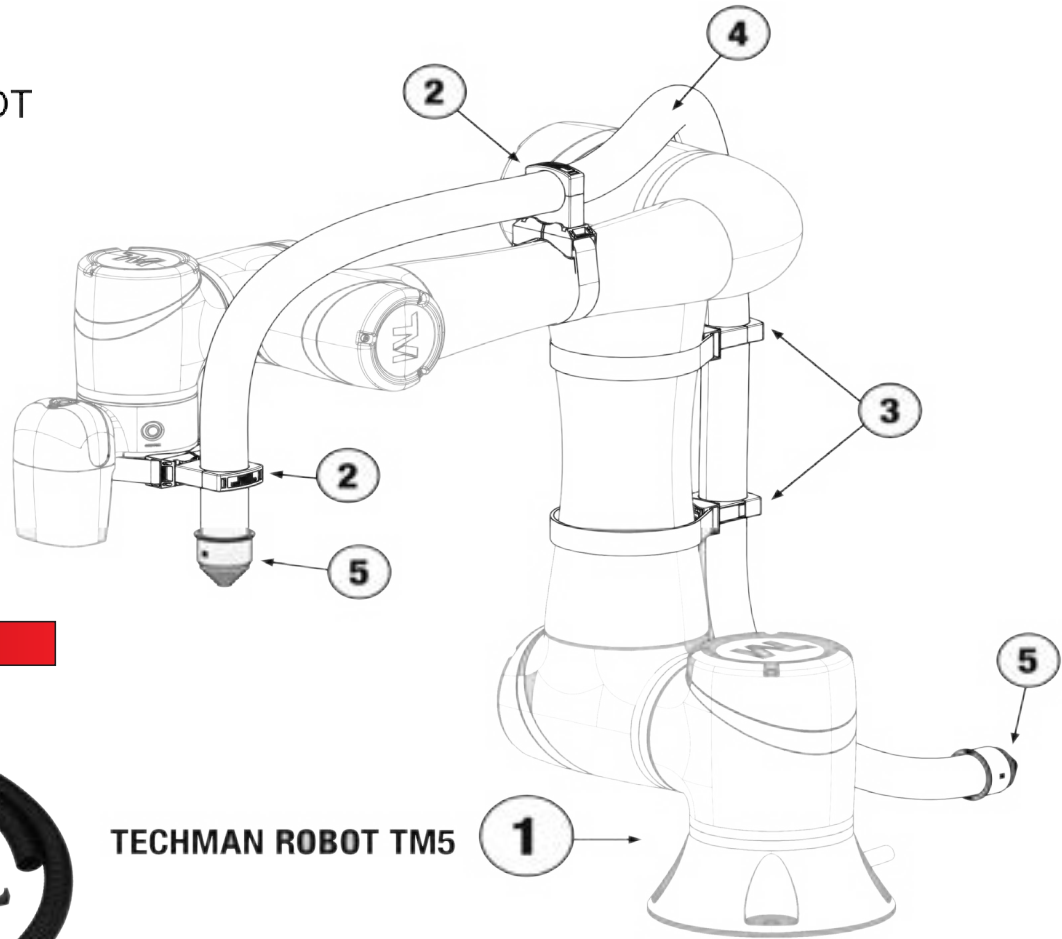
Drawing for illustration purposes only.

TECHMAN ROBOT TM12 / TM14

POS.	PART NUMBER	DESCRIPTION	QTY
<b>1</b>		Techman Robot TM12 / TM14	
<b>2</b>	83693447	FHS-C Bracket with 550mm Hook and Loop Strap	2
<b>3</b>	83203060	EWX-PP-LS M32/P29 Conduit	2m
<b>4</b>	83723460	ET 29 end grommet	2
<b>5</b>	83693445	FHS-C Bracket with 450mm Hook and Loop Strap	2

# LIGHT DUTY FLEXIBLE HOLDER SYSTEM TECHMAN TM5 FHS-UHE KIT, A1-A6 PART NUMBER NO.: 83693502

**TM** TECHMAN ROBOT



**ORDER NO.**  
83693502



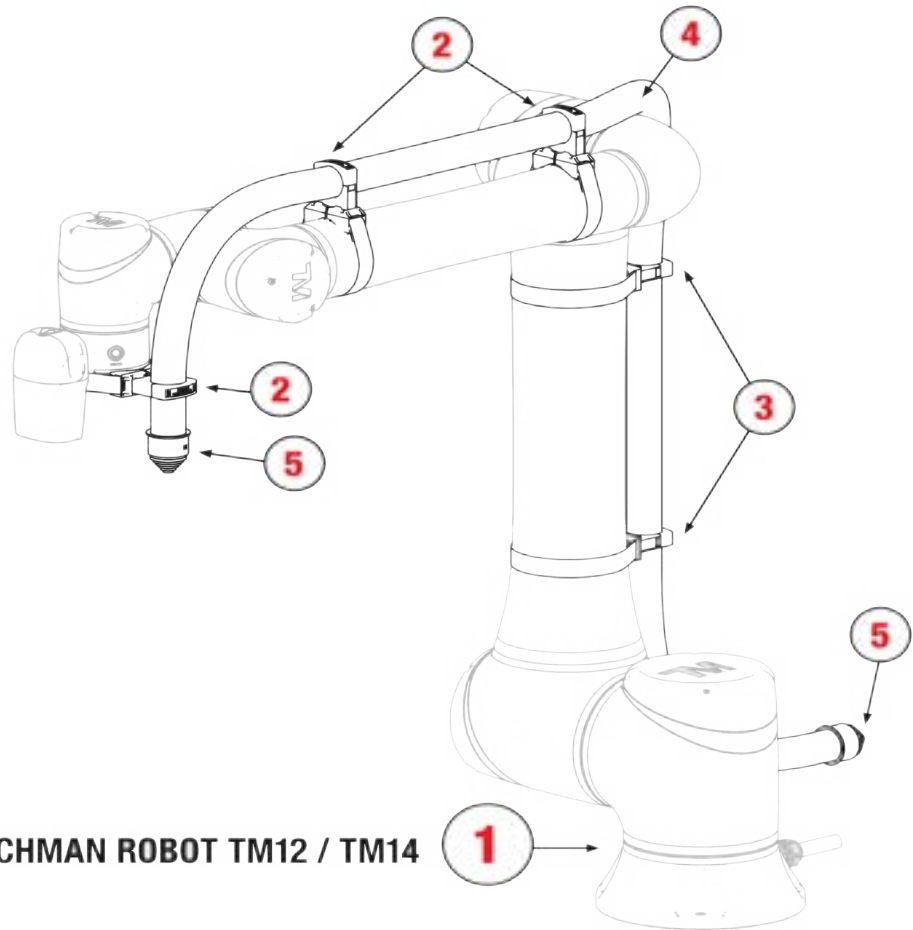
TECHMAN ROBOT TM5

Drawing for illustration purposes only.

POS.	PART NUMBER	DESCRIPTION	QTY
<b>1</b>		Techman Robot TM5	
<b>2</b>	83693466	FHS-UHE Bracket with 350mm Holder and Loop Strap	2
<b>5</b>	83693467	FHS-UHE Bracket with 450mm Holder and Loop Strap	2
<b>3</b>	83203060	EWX-PP-LS M32/P29 Conduit	2m
<b>4</b>	83723460	ET 29 end grommet	2

# LIGHT DUTY FLEXIBLE HOLDER SYSTEM TECHMAN TM12/TM14 FHS-UHE KIT, A1-A6 PART NUMBER NO.: 83693503

## TM TECHMAN ROBOT



**ORDER NO.**  
83693502



Drawing for illustration purposes only.

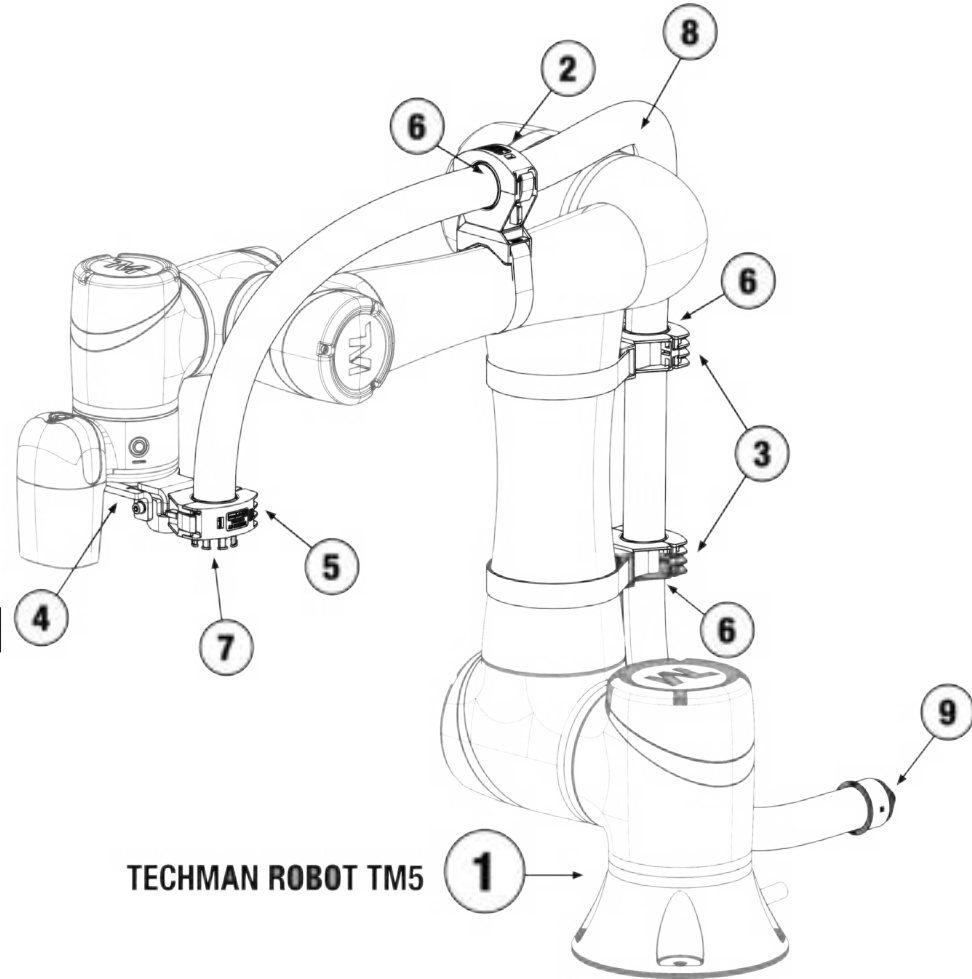
TECHMAN ROBOT TM12 / TM14

POS.	PART NUMBER	DESCRIPTION	QTY
<b>1</b>		Techman Robot TM12/TM14	
<b>2</b>	83693466	FHS-UHE Bracket with 350mm Holder and Loop Strap	3
<b>5</b>	83693467	FHS-UHE Bracket with 450mm Holder and Loop Strap	2
<b>3</b>	83203060	EWX-PP-LS M32/P29 Conduit	3.5m
<b>4</b>	83723460	ET 29 end grommet	2

# LIGHT DUTY FLEXIBLE HOLDER SYSTEM TECHMAN TM5 FHS-SH KIT, A1-A6

PART NUMBER NO.: 83693504

**TM** TECHMAN ROBOT



**ORDER NO.**  
83693504



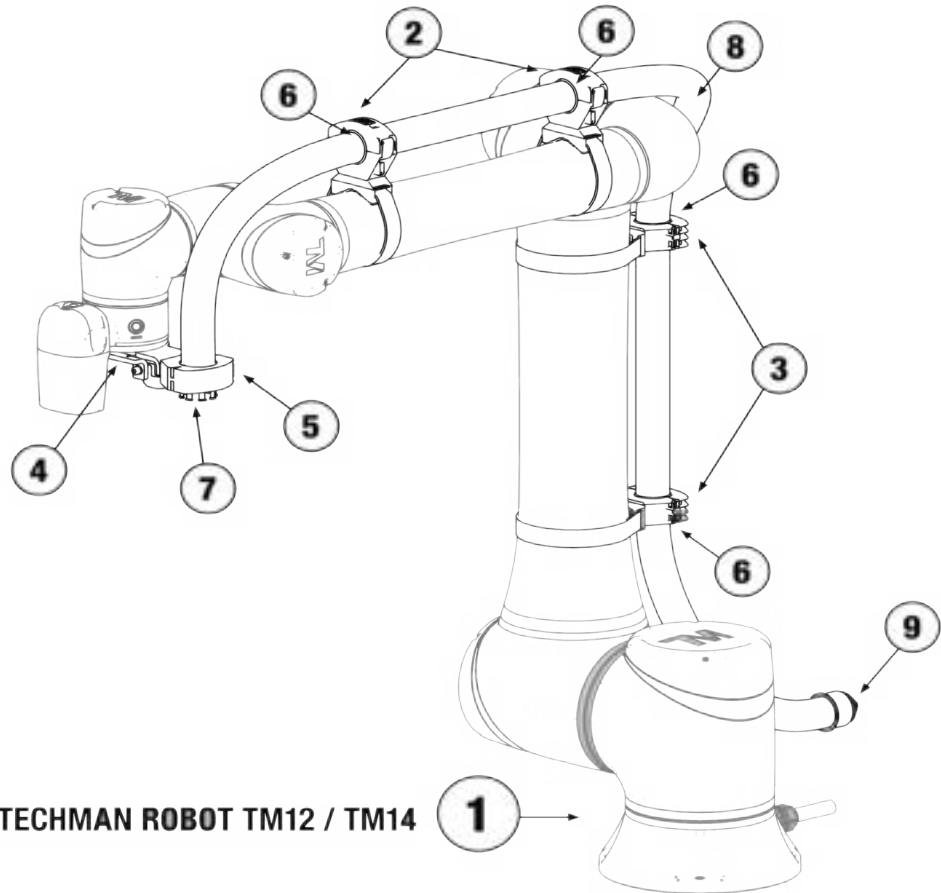
Drawing for illustration purposes only.

POS.	PART NUMBER	DESCRIPTION	QTY
<b>1</b>		Techman Robot TM5	
<b>2</b>	83693423	FHS-SH Bracket with 350mm Holder and Loop Strap	1
<b>3</b>	83693425	FHS-SH Bracket with 450mm Holder and Loop Strap	2
<b>4</b>	83693206	R-SSR 63 TM	1
<b>5</b>	83691462	System Holder SH-P / M25-M32	1
<b>6</b>	83691660	KMG/F-M32 Fixed Ball Joint	3
<b>7</b>	83692260	KEG/ZL-M32 End Ball Joint	1
<b>8</b>	83203060	EWX-PP-LS M32/P29 Conduit	2m
<b>9</b>	83723460	ET 29 end grommet	1

# LIGHT DUTY FLEXIBLE HOLDER SYSTEM TECHMAN TM12/TM14 FHS-SH KIT, A1-A6

PART NUMBER NO.: 83693505

## TM TECHMAN ROBOT



**ORDER NO.**  
83693505



TECHMAN ROBOT TM12 / TM14

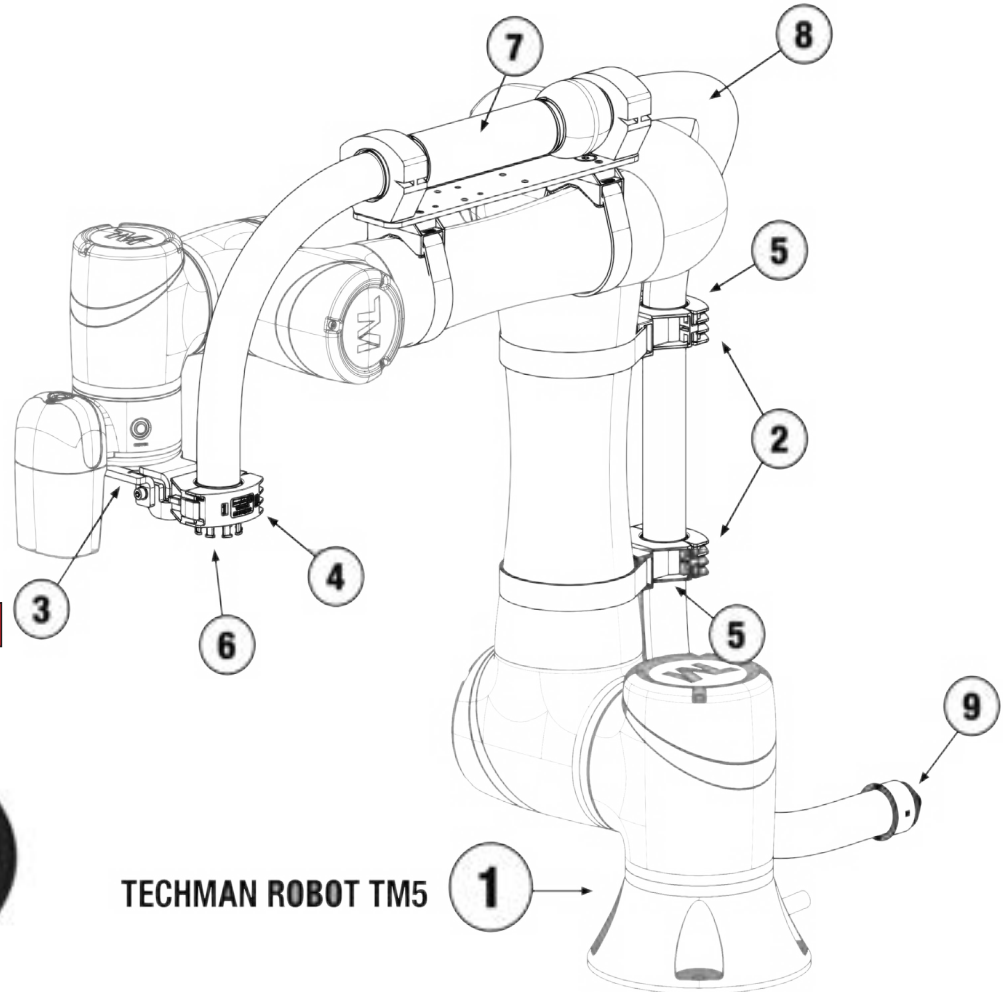
Drawing for illustration purposes only.

POS.	PART NUMBER	DESCRIPTION	QTY
<b>1</b>		Techman Robot TM12/TM14	
<b>2</b>	83693423	FHS-SH Bracket with 350mm Holder and Loop Strap	2
<b>3</b>	83693425	FHS-SH Bracket with 450mm Holder and Loop Strap	2
<b>4</b>	83693206	R-SSR 63 TM	1
<b>5</b>	83691462	System Holder SH-P / M25-M32	1
<b>6</b>	83691660	KMG/F-M32 Fixed Ball Joint	4
<b>7</b>	83692260	KEG/ZL-M32 End Ball Joint	1
<b>8</b>	83203060	EWX-PP-LS M32/P29 Conduit	3.5m
<b>9</b>	83723460	ET 29 end grommet	1

# LIGHT DUTY FLEXIBLE HOLDER SYSTEM TECHMAN TM5 FHS-RS KIT, A1-A6

PART NUMBER NO.: 83693506

**TM** TECHMAN ROBOT



**ORDER NO.**  
83693506



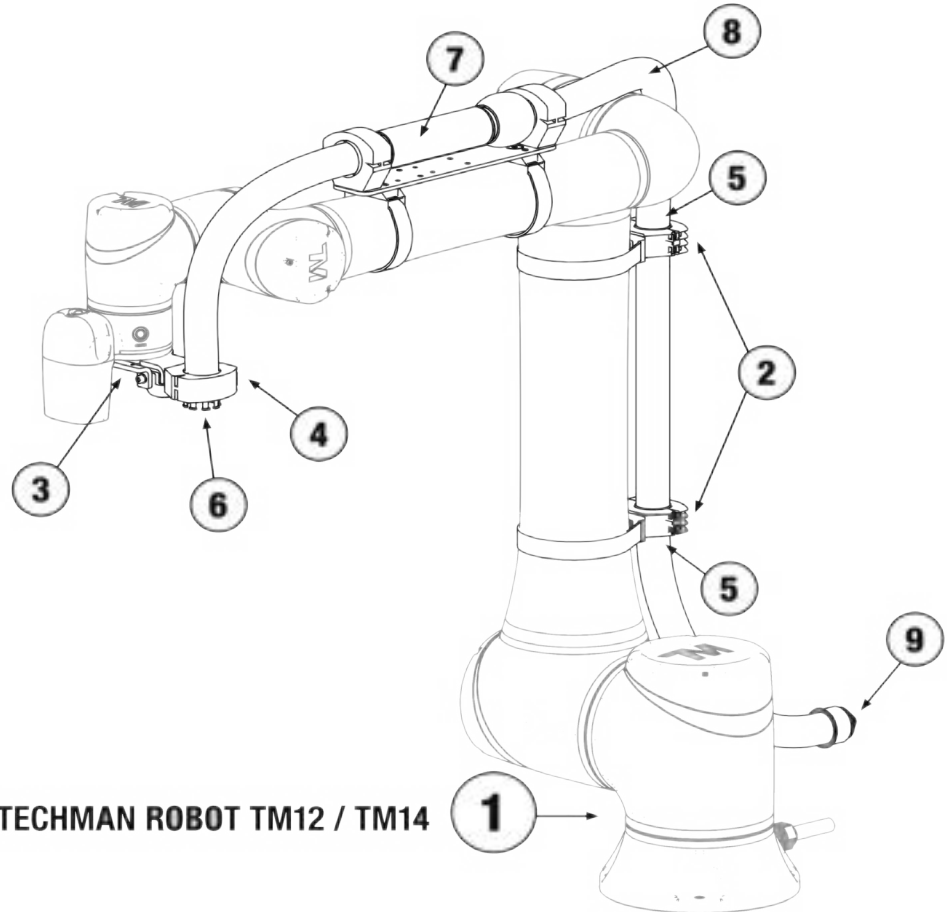
Drawing for illustration purposes only.

POS.	PART NUMBER	DESCRIPTION	QTY
<b>1</b>		Techman Robot TM5	
<b>2</b>	83693425	FHS-SH Bracket with 450mm Holder and Loop Strap	2
<b>3</b>	83693206	R-SSR 63 TM	1
<b>4</b>	83691462	System Holder SH-P / M25-M32	1
<b>5</b>	83691660	KMG/F-M32 Fixed Ball Joint	2
<b>6</b>	83692260	KEG/ZL-M32 End Ball joint	1
<b>7</b>	83693414	FHS-RS EWX 29-20N Retraction System	1
<b>8</b>	83203060	EWX-PP-LS M32/P29 Conduit	2m
<b>9</b>	83723460	ET 29 end grommet	1



# LIGHT DUTY FLEXIBLE HOLDER SYSTEM TECHMAN TM12/TM14 FHS-RS KIT, A1-A6 PART NUMBER NO.: 83693507

## TM TECHMAN ROBOT



**ORDER NO.**

83693507



TECHMAN ROBOT TM12 / TM14

Drawing for illustration purposes only.

POS.	PART NUMBER	DESCRIPTION	QTY
<b>1</b>		Techman Robot TM12/TM14	
<b>2</b>	83693425	FHS-SH Bracket with 450mm Holder and Loop Strap	2
<b>3</b>	83693206	R-SSR 63 TM	1
<b>4</b>	83691462	System Holder SH-P / M25-M32	1
<b>5</b>	83691660	KMG/F-M32 Fixed Ball Joint	2
<b>6</b>	83692260	KEG/ZL-M32 End Ball Joint	1
<b>7</b>	83693414	FHS-RS EWX 29-20N Retraction System	1
<b>8</b>	83203060	EWX-PP-LS M32/P29 Conduit	3.5m
<b>9</b>	83723460	ET 29 end grommet	1

# LIGHT DUTY FLEXIBLE HOLDER SYSTEM

## TECHMAN TM12/TM14 FHS-RS SIZE 36 KIT, A1-A6

### PART NUMBER NO.: 83801055

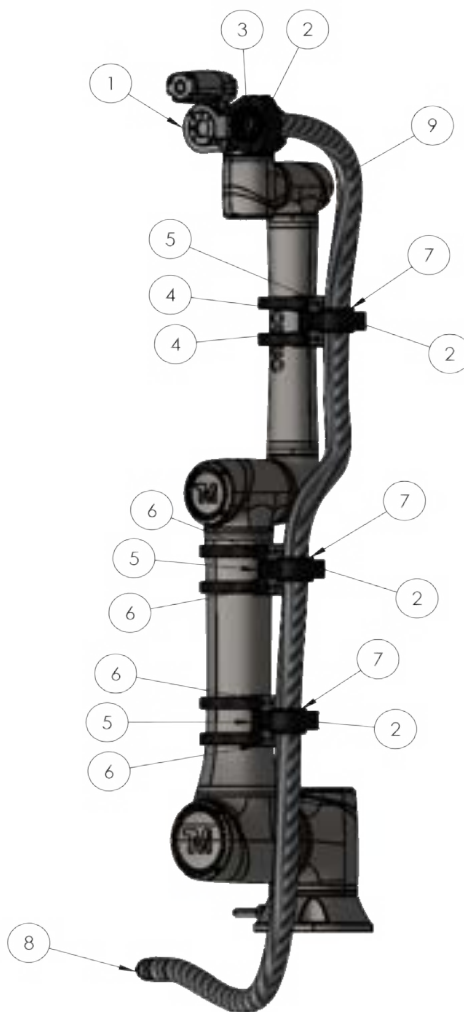
**TM** TECHMAN ROBOT

**ORDER NO.**

83801055



Drawing for illustration purposes only.



POS.	PART NUMBER	DESCRIPTION	QTY
<b>1</b>	83693206	R-SSR 63 TM	1
<b>2</b>	83691460	Size 48 System Holder	4
<b>3</b>	83692262	Size 36 End Ball Joint ZL	1
<b>4</b>	83693443	FHS-C Bracket with 350mm Hook and Loop Strap	2
<b>5</b>	83697146	R-MP-S FHS-SH	3
<b>6</b>	83693445	FHS-C Bracket with 450mm Hook and Loop Strap	4
<b>7</b>	83691662	Size 36 Fixed Ball Joint	3
<b>8</b>	83723422	ET 36 end grommet	1
<b>9</b>	83182062	EWX-PAE M40/P36 Conduit	3.5m

# LIGHT DUTY FLEXIBLE HOLDER SYSTEM

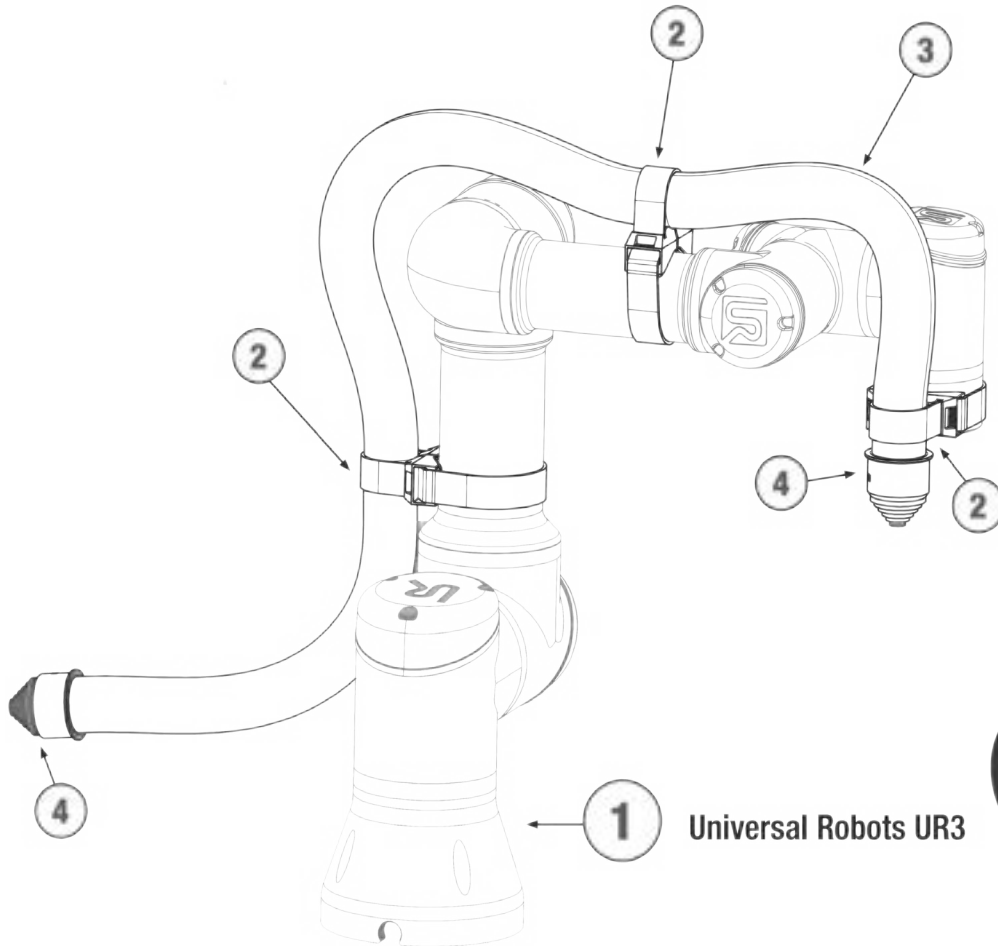
## UNIVERSAL ROBOTS FHS-C-SET-UR3 KIT, A1-A6

PART NUMBER NO.: 83693480



www.murrplastik.com

 UNIVERSAL ROBOTS



**ORDER NO.**

83693480



Drawing for illustration purposes only.

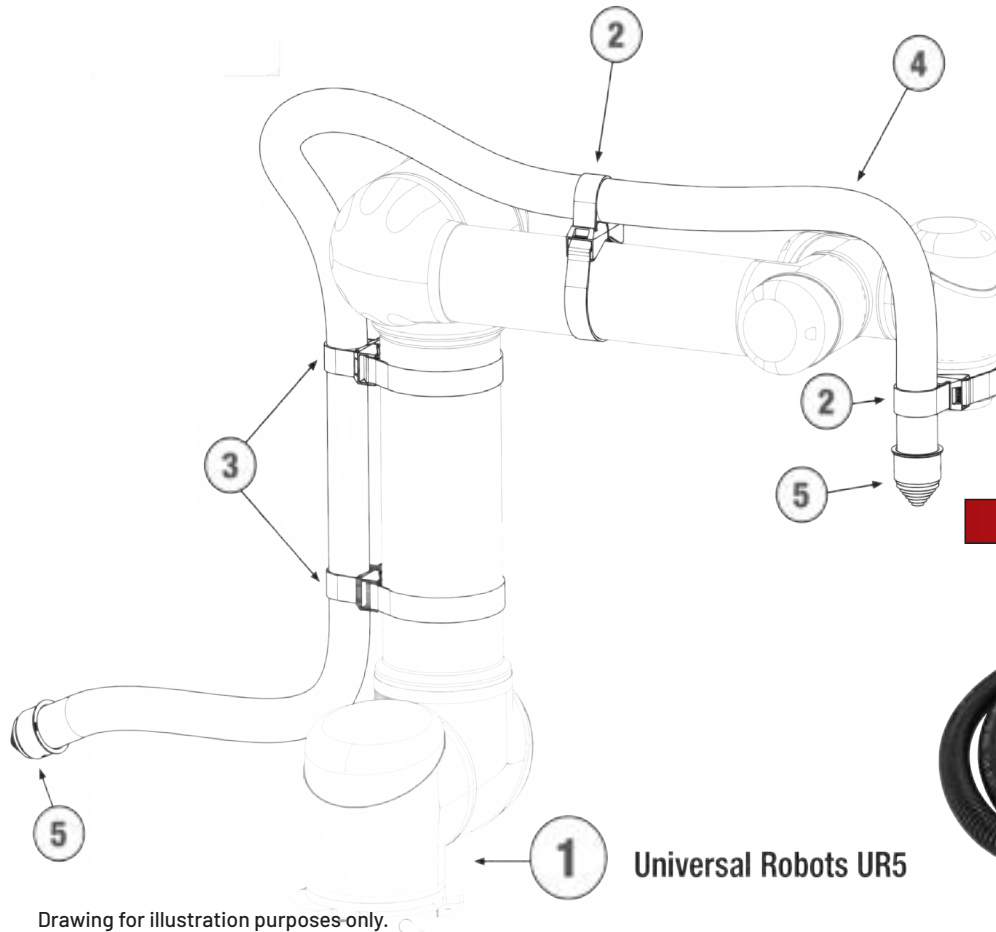
POS.	PART NUMBER	DESCRIPTION	QTY
<b>1</b>		Universal Robots UR3	
<b>2</b>	83693443	FHS-C Bracket with 350mm Hook and Loop Strap	3
<b>3</b>	83203058	EWX-PP-LS M25/P21 Conduit	1pcs
<b>4</b>	83723458	ET 21 end grommet	2

# LIGHT DUTY FLEXIBLE HOLDER SYSTEM

## UNIVERSAL ROBOTS FHS-C-SET UR5 KIT, A1-A6

### PART NUMBER NO.: 83693482

**UR** UNIVERSAL ROBOTS



Drawing for illustration purposes only.

**ORDER NO.**  
83693482



POS.	PART NUMBER	DESCRIPTION	QTY
<b>1</b>		Universal Robots UR5	
<b>2</b>	83693445	FHS-C Bracket with 450mm Hook and Loop Strap	2
<b>3</b>	83693447	FHS-C Bracket with 550mm Hook and Loop Strap	2
<b>4</b>	83203060	EWX-PP-LS M32/P29 Conduit	1pcs
<b>5</b>	83723460	ET 29 end grommet	2

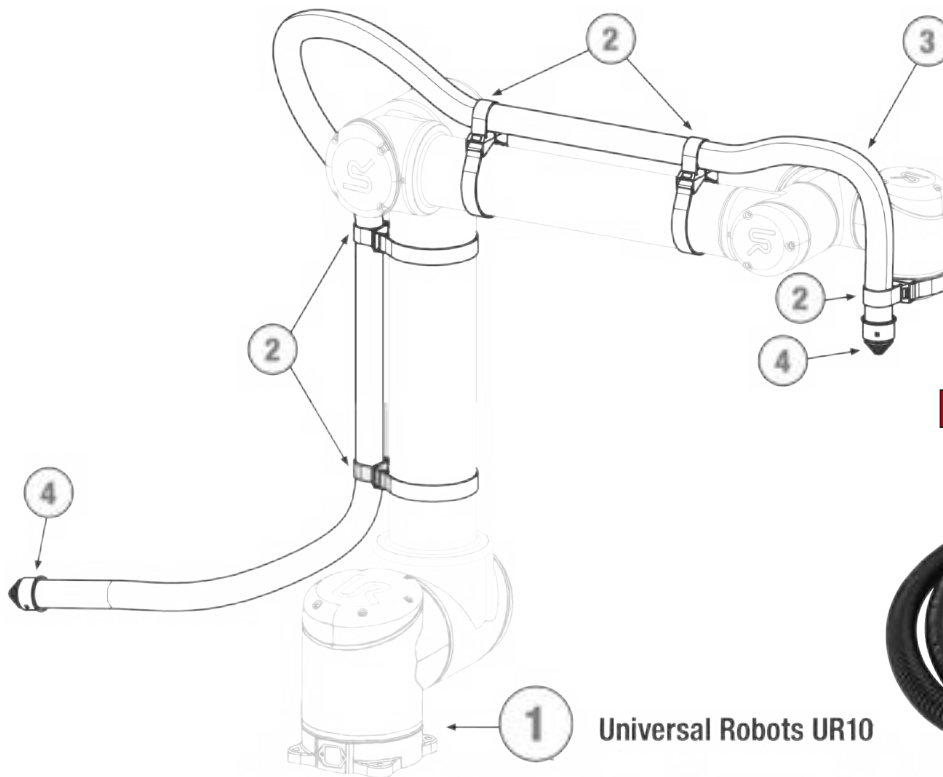
# LIGHT DUTY FLEXIBLE HOLDER SYSTEM

## UNIVERSAL ROBOTS FHS-UHE SET UR10 KIT, A1-A6

### PART NUMBER NO.: 83693484



www.murrplastik.com



**ORDER NO.**  
83693484



Drawing for illustration purposes only.

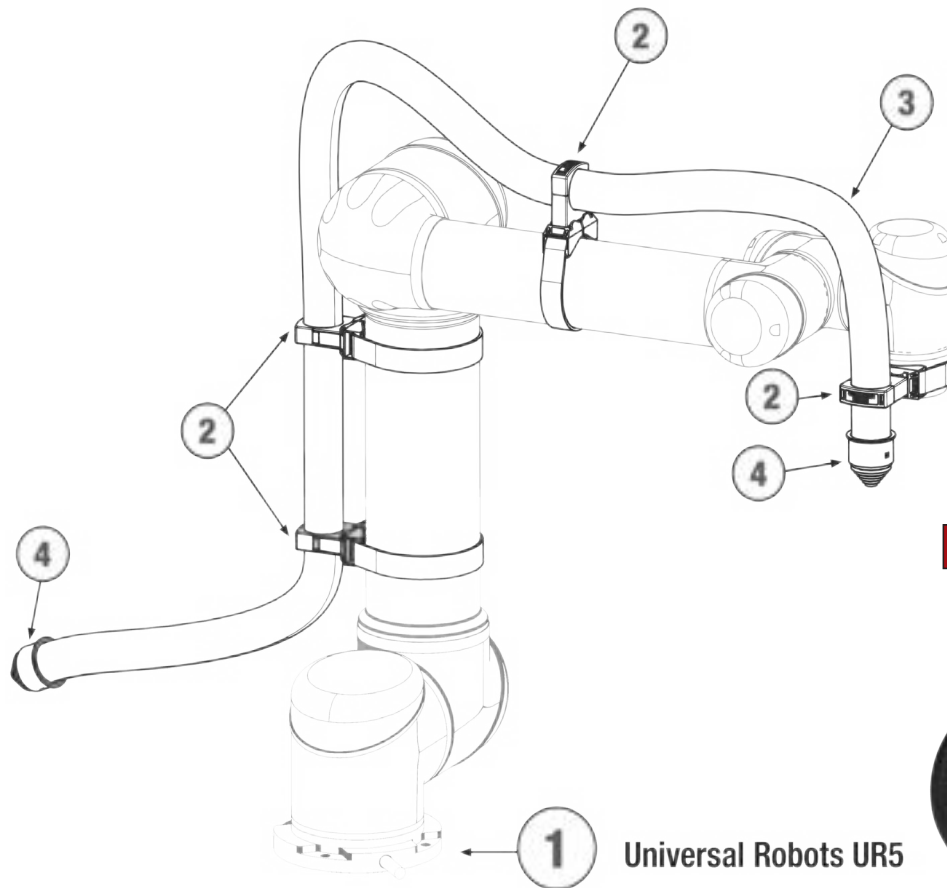
POS.	PART NUMBER	DESCRIPTION	QTY
<b>1</b>		Universal Robots UR10	
<b>2</b>	83693447	FHS-C Bracket with 550mm Hook and Loop Strap	2
<b>3</b>	83203060	EWX-PP-LS M32/P29 Conduit	1pc
<b>4</b>	83723460	ET 29 end grommet	2

# LIGHT DUTY FLEXIBLE HOLDER SYSTEM

## UNIVERSAL ROBOTS FHS-UHE-SET UR5 KIT, A1-A6

### PART NUMBER NO.: 83693489

**UR** UNIVERSAL ROBOTS



**ORDER NO.**  
83693489



Drawing for illustration purposes only.

POS.	PART NUMBER	DESCRIPTION	QTY
<b>1</b>		Universal Robots UR5	
<b>2</b>	83693466	FHS-UHE Bracket with 350mm Holder and Loop Strap	4
<b>3</b>	83203060	EWX-PP-LS M32/P29 Conduit	1pc
<b>4</b>	83723460	ET 29 end grommet	2

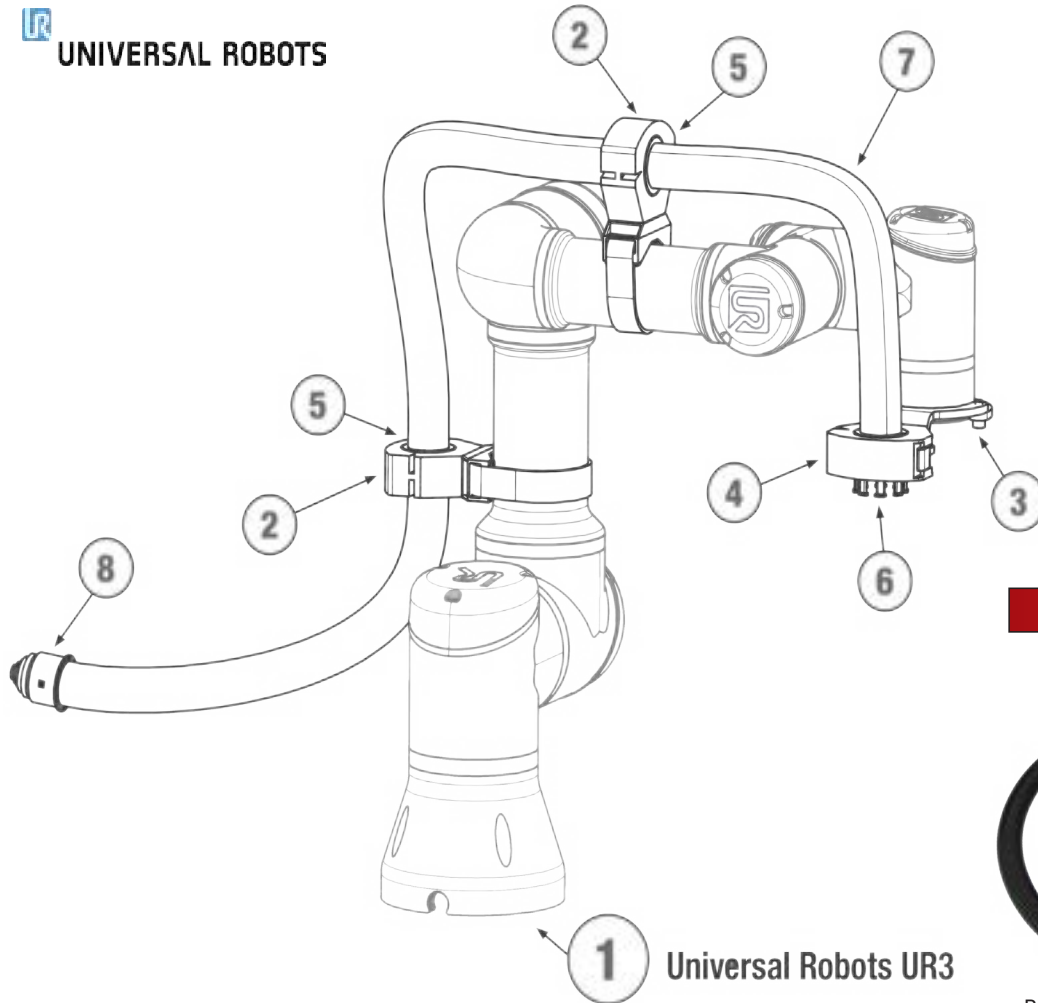


# LIGHT DUTY FLEXIBLE HOLDER SYSTEM

## UNIVERSAL ROBOTS FHS-SH-SET UR3 KIT, A1-A6

### PART NUMBER NO.: 83693491

 UNIVERSAL ROBOTS



**ORDER NO.**  
83693491



Drawing for illustration purposes only.

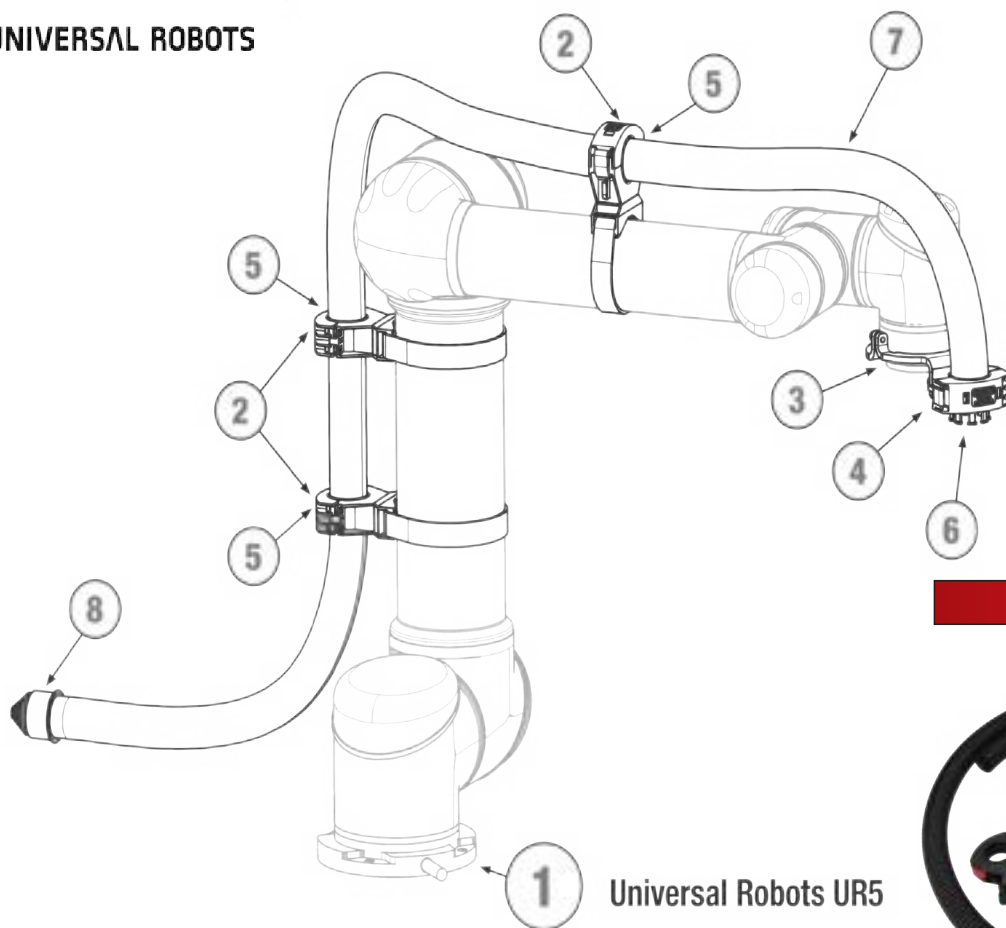
POS.	PART NUMBER	DESCRIPTION	QTY
<b>1</b>		Universal Robots UR3	
<b>2</b>	83693423	FHS-SH Bracket with 350mm Holder and Loop Strap	2
<b>3</b>	83693201	R-SSR 63 UR3	1
<b>4</b>	83691462	System Holder SH-P / M25-M32	1
<b>5</b>	83691658	KMG/F-M25 Fixed Ball Joint	2
<b>6</b>	83692258	KEG/ZL-M25 End Ball Joint	1
<b>7</b>	83203058	EWX-PP-LS M25/P21 Conduit	1pc
<b>8</b>	83723458	ET 21 end grommet	1

# LIGHT DUTY FLEXIBLE HOLDER SYSTEM

## UNIVERSAL ROBOTS FHS-SH-SET UR5 KIT, A1-A6

### PART NUMBER NO.: 83693492

 UNIVERSAL ROBOTS



**ORDER NO.**  
83693492



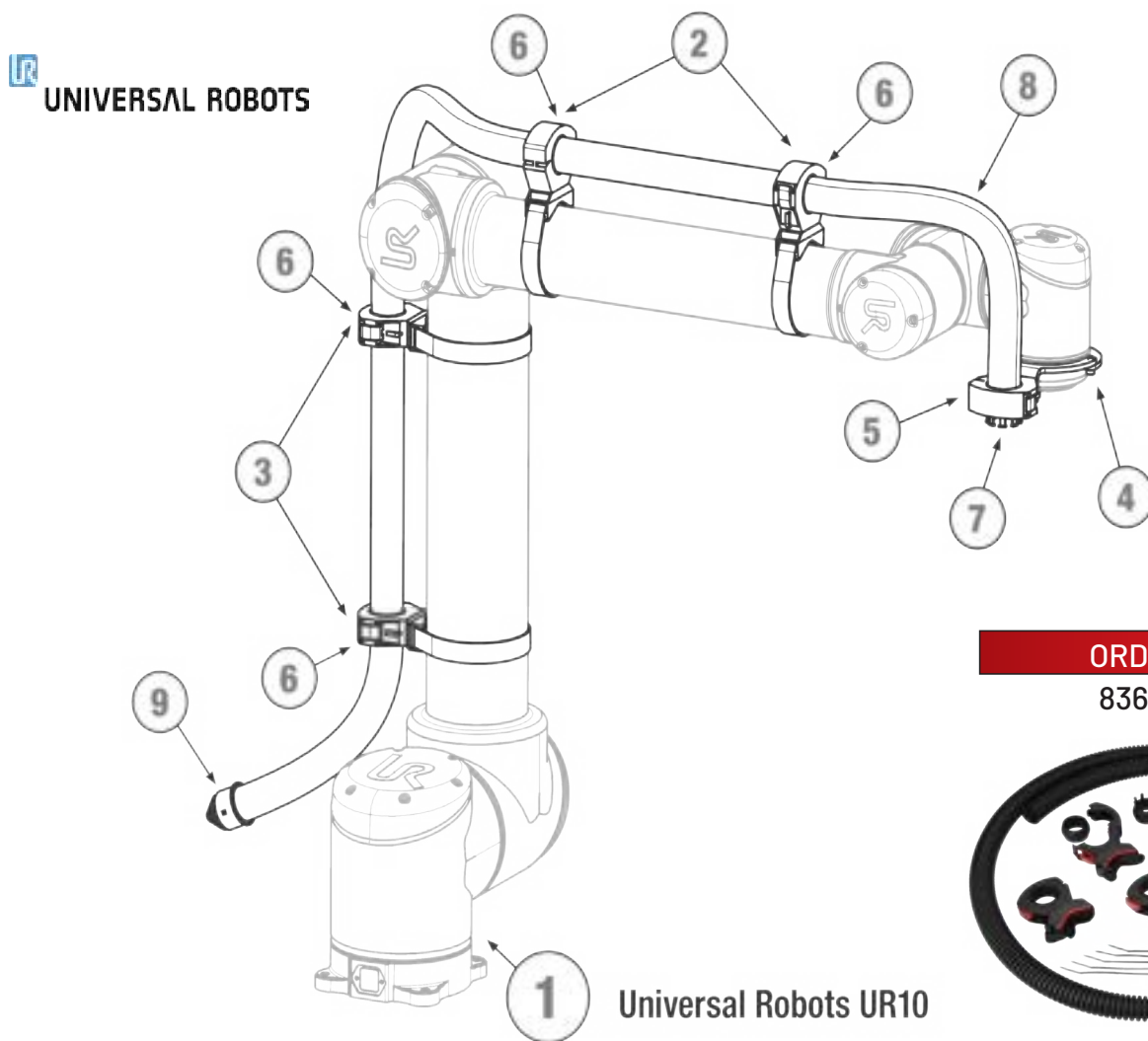
Drawing for illustration purposes only.

POS.	PART NUMBER	DESCRIPTION	QTY
<b>1</b>		Universal Robots UR5	
<b>2</b>	83693423	FHS-SH Bracket with 350mm Holder and Loop Strap	3
<b>3</b>	83693202	R-SSR 75 UR5	1
<b>4</b>	83691462	System Holder SH-P / M25-M32	1
<b>5</b>	83691660	KMG/F-M32 Fixed Ball Joint	3
<b>6</b>	83692260	KEG/ZL-M32 End Ball Joint	1
<b>7</b>	83203060	EWX-PP-LS M32/P29 Conduit	1pc
<b>8</b>	83723460	ET 29 end grommet	1

# LIGHT DUTY FLEXIBLE HOLDER SYSTEM

## UNIVERSAL ROBOTS FHS-SH-SET UR10 KIT, A1-A6

### PART NUMBER NO.: 83693493



**ORDER NO.**  
83693493



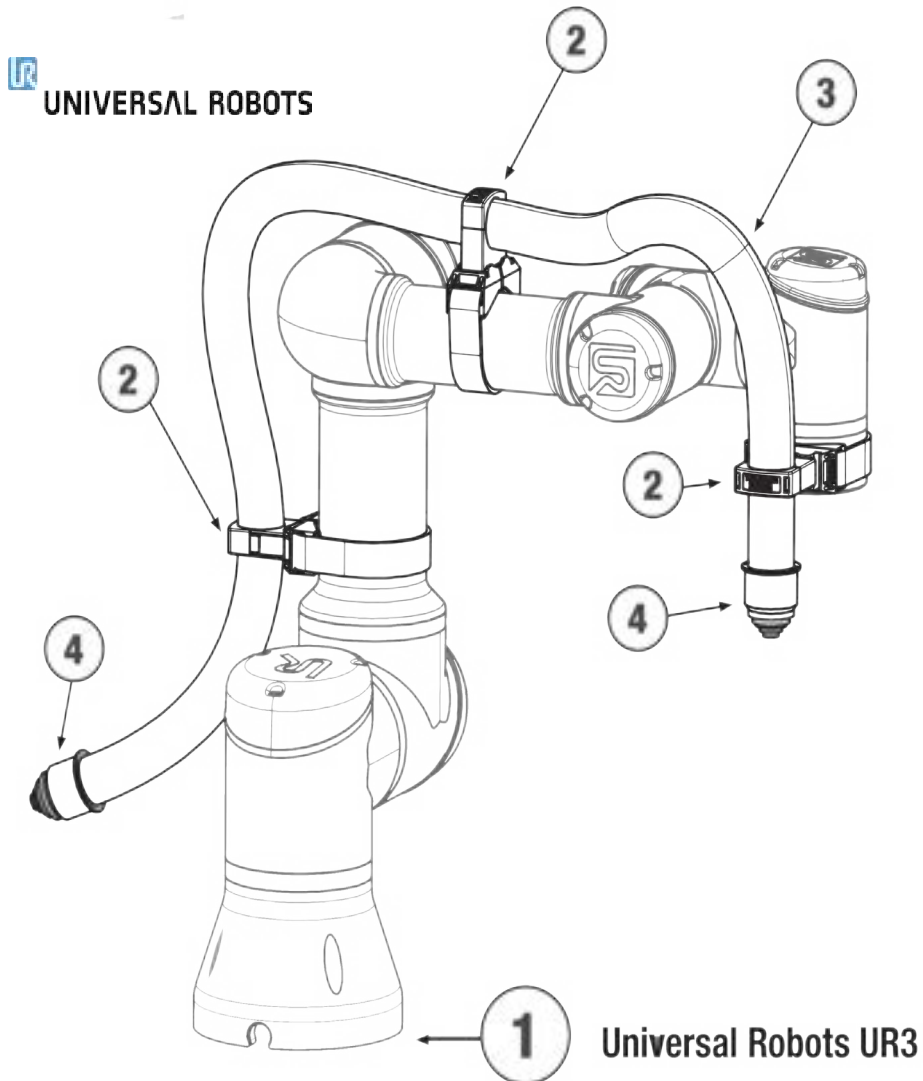
Drawing for illustration purposes only.

POS.	PART NUMBER	DESCRIPTION	QTY
<b>1</b>		Universal Robots UR10	
<b>2</b>	83693423	FHS-SH Bracket with 350mm Holder and Loop Strap	2
<b>3</b>	83693425	FHS-SH Bracket with 450mm Holder and Loop Strap	2
<b>4</b>	83693203	R-SSR 90 UR10	1
<b>5</b>	83691462	System Holder SH-P / M25-M32	1
<b>6</b>	83691660	KMG/F-M32 Fixed Ball Joint	4
<b>7</b>	83692260	KEG/ZL-M32 End Ball Joint	1
<b>8</b>	83203060	EWX-PP-LS M32/P29 Conduit	1pc
<b>9</b>	83723460	ET 29 end grommet	1

# LIGHT DUTY FLEXIBLE HOLDER SYSTEM

## UNIVERSAL ROBOTS FHS-UHE SET UR3 KIT, A1-A6

### PART NUMBER NO.: 83693494



**ORDER NO.**  
83693494



Drawing for illustration purposes only.

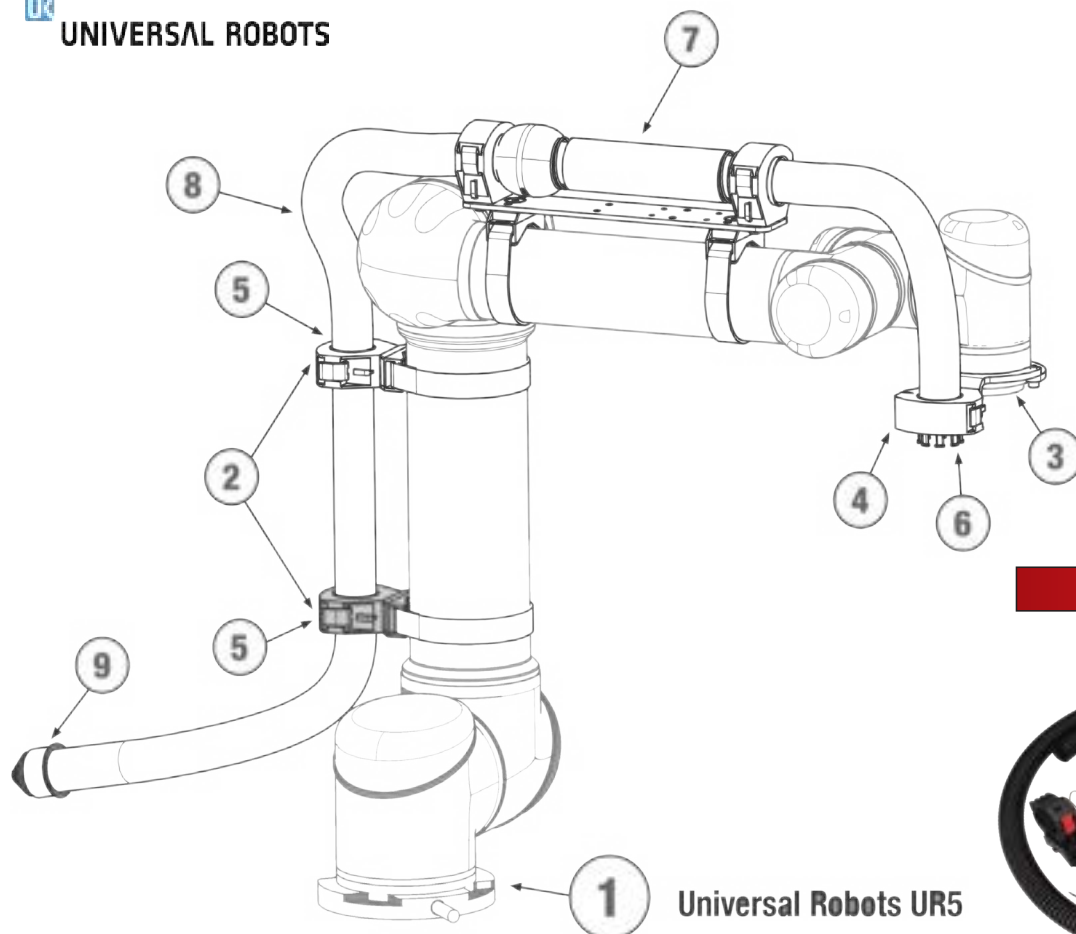
POS.	PART NUMBER	DESCRIPTION	QTY
<b>1</b>		Universal Robots UR3	
<b>2</b>	83693461	FHS-UHE Bracket with 350mm Holder and Loop Strap	3
<b>3</b>	83203058	EWX-PP-LS M25/P21 Conduit	1
<b>4</b>	83723458	ET 21 end grommet	2

# LIGHT DUTY FLEXIBLE HOLDER SYSTEM

## UNIVERSAL ROBOTS FHS-RS SET UR5 KIT, A1-A6

### PART NUMBER NO.: 83693495

**UR** UNIVERSAL ROBOTS



**ORDER NO.**  
83693495



Drawing for illustration purposes only.

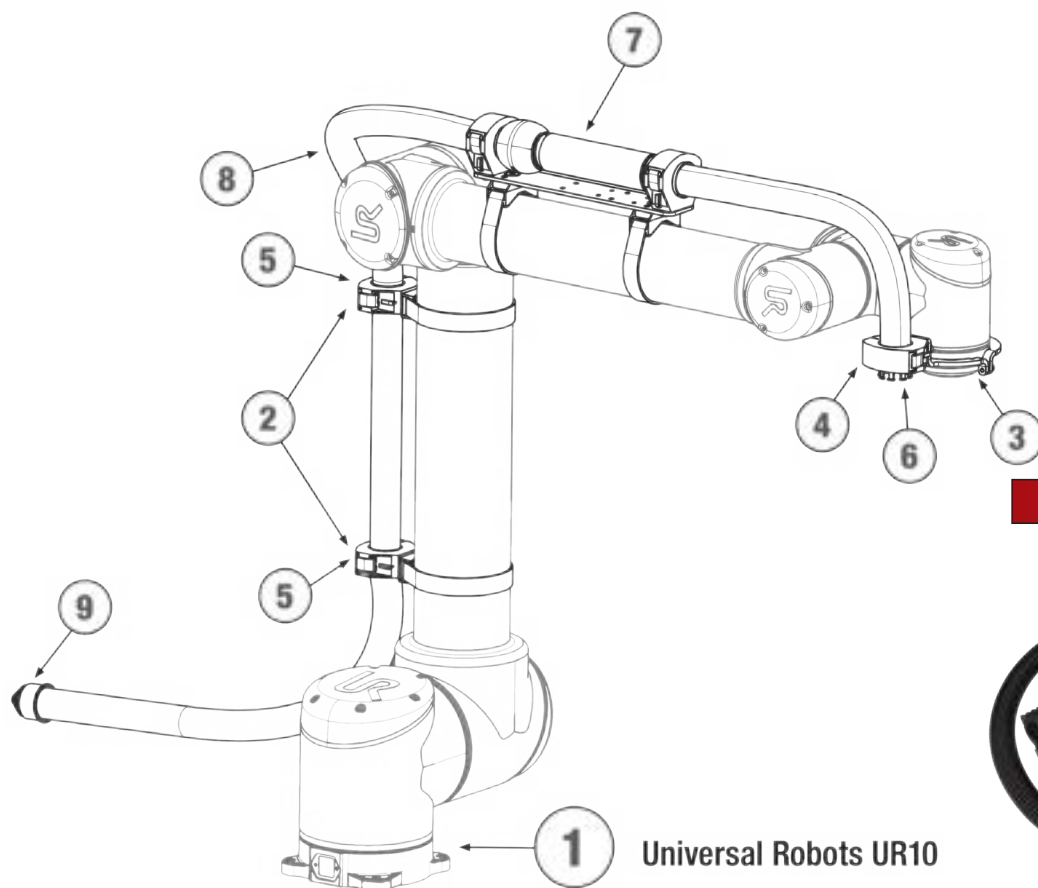
POS.	PART NUMBER	DESCRIPTION	QTY
<b>1</b>		Universal Robots UR5	
<b>2</b>	83693423	FHS-SH Bracket with 350mm Holder and Loop Strap	2
<b>3</b>	83693202	R-SSR 75 UR5	1
<b>4</b>	83691462	System Holder SH-P / M25-M32	1
<b>5</b>	83691660	KMG/F-M32 Fixed Ball Joint	2
<b>6</b>	83692260	KEG/ZL-M32 End Ball Joint	1
<b>7</b>	83693414	Retraction System FHS-RS EWX 29-20N	1
<b>8</b>	83203060	EWX-PP-LS M25/P21 Conduit	1pc
<b>9</b>	83723460	ET 29 end grommet	1

# LIGHT DUTY FLEXIBLE HOLDER SYSTEM

## UNIVERSAL ROBOTS FHS-RS SET UR10 KIT, A1-A6

### PART NUMBER NO.: 83693496

 UNIVERSAL ROBOTS



**ORDER NO.**  
83693496



Drawing for illustration purposes only.

POS.	PART NUMBER	DESCRIPTION	QTY
<b>1</b>		Universal Robots UR10	
<b>2</b>	83693425	FHS-SH Bracket with 450mm Holder and Loop Strap	2
<b>3</b>	83693203	R-SSR 90 UR10	1
<b>4</b>	83691462	System Holder SH-P / M25-M32	1
<b>5</b>	83691660	KMG/F-M32 Fixed Ball Joint	2
<b>6</b>	83692260	KEG/ZL-M32 End Ball Joint	1
<b>7</b>	83693414	Retraction System FHS-RS EWX 29-20N	1
<b>8</b>	83203060	EWX-PP-LS M32/P29 Conduit	1pc
<b>9</b>	83723460	ET 29 end grommet	1

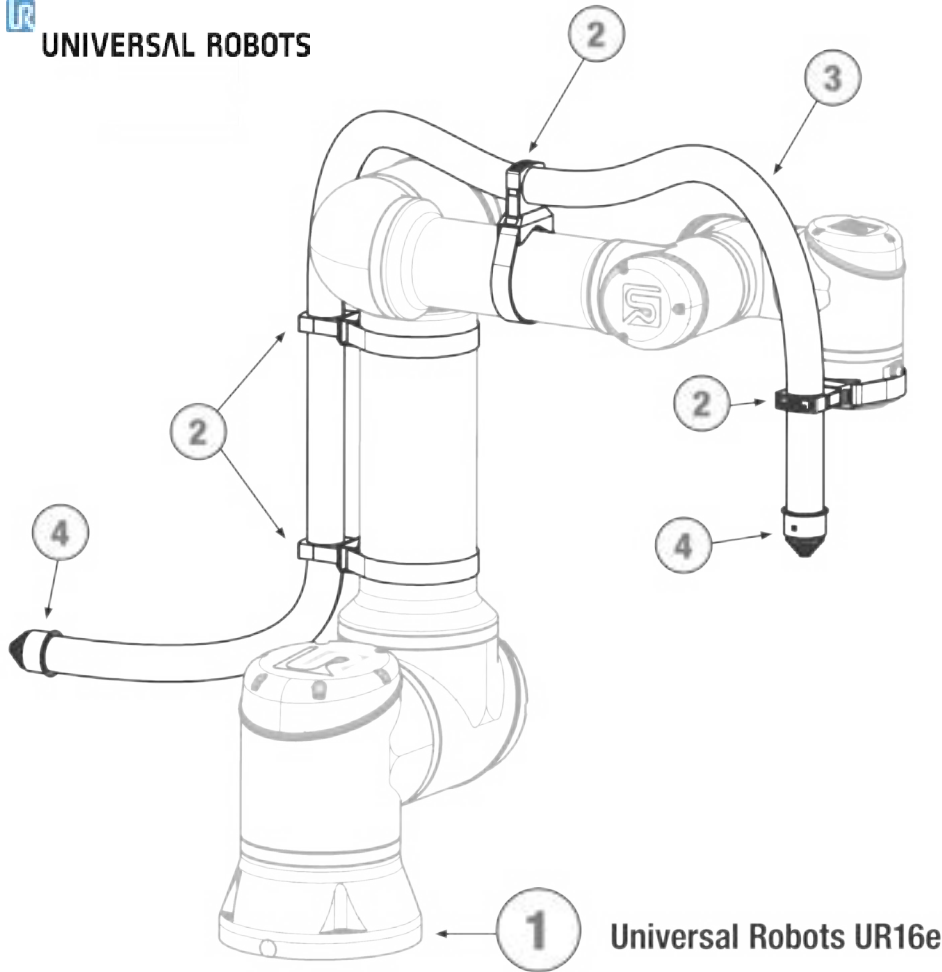


# LIGHT DUTY FLEXIBLE HOLDER SYSTEM

## UNIVERSAL ROBOTS FHS-UHE SET UR16E KIT, A1-A6

### PART NUMBER NO.: 83693497

 UNIVERSAL ROBOTS



**ORDER NO.**  
83693497



Drawing for illustration purposes only.

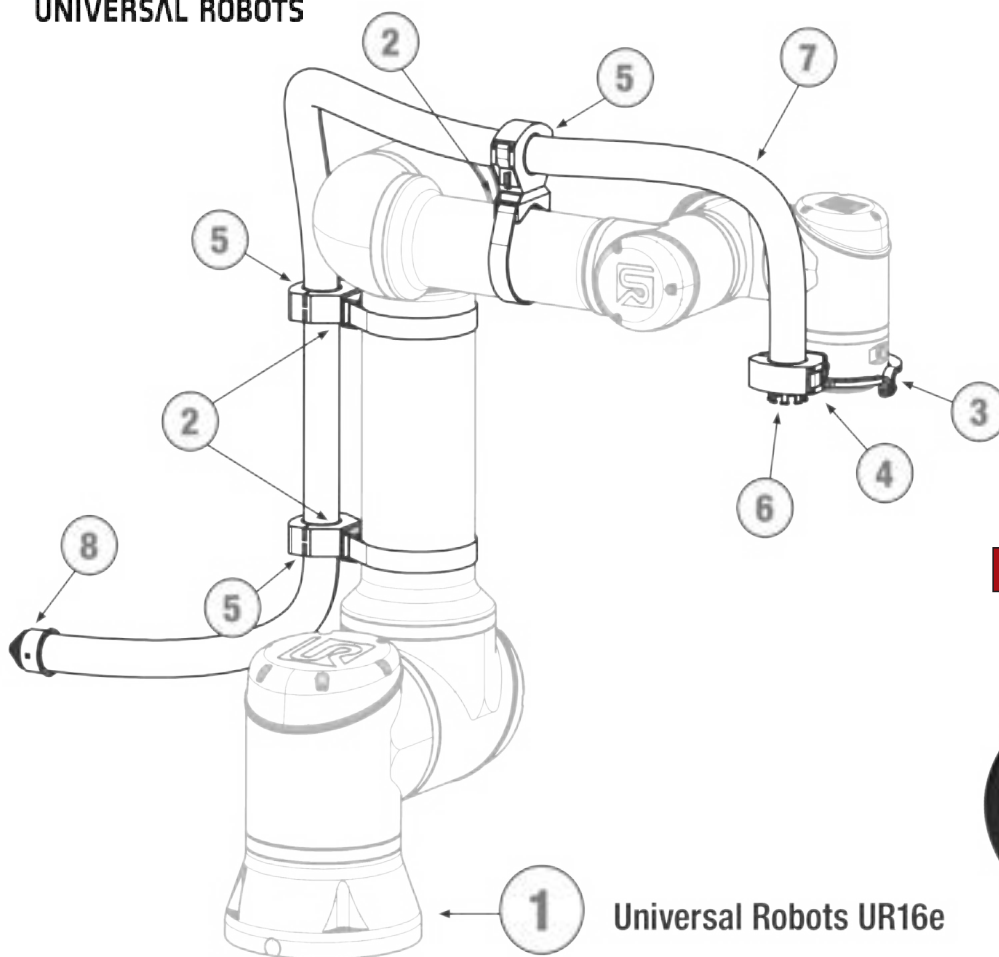
POS.	PART NUMBER	DESCRIPTION	QTY
<b>1</b>		Universal Robots UR16e	
<b>2</b>	83693467	FHS-UHE Bracket with 450mm Holder and Loop Strap	4
<b>3</b>	83203060	EWX-PP-LS M32/P29 Conduit	1pc
<b>4</b>	83723460	ET 29 end grommet	2

# LIGHT DUTY FLEXIBLE HOLDER SYSTEM

## UNIVERSAL ROBOTS FHS-SH SET UR16E KIT, A1-A6

### PART NUMBER NO.: 83693498

 UNIVERSAL ROBOTS



**ORDER NO.**  
83693498



Drawing for illustration purposes only.

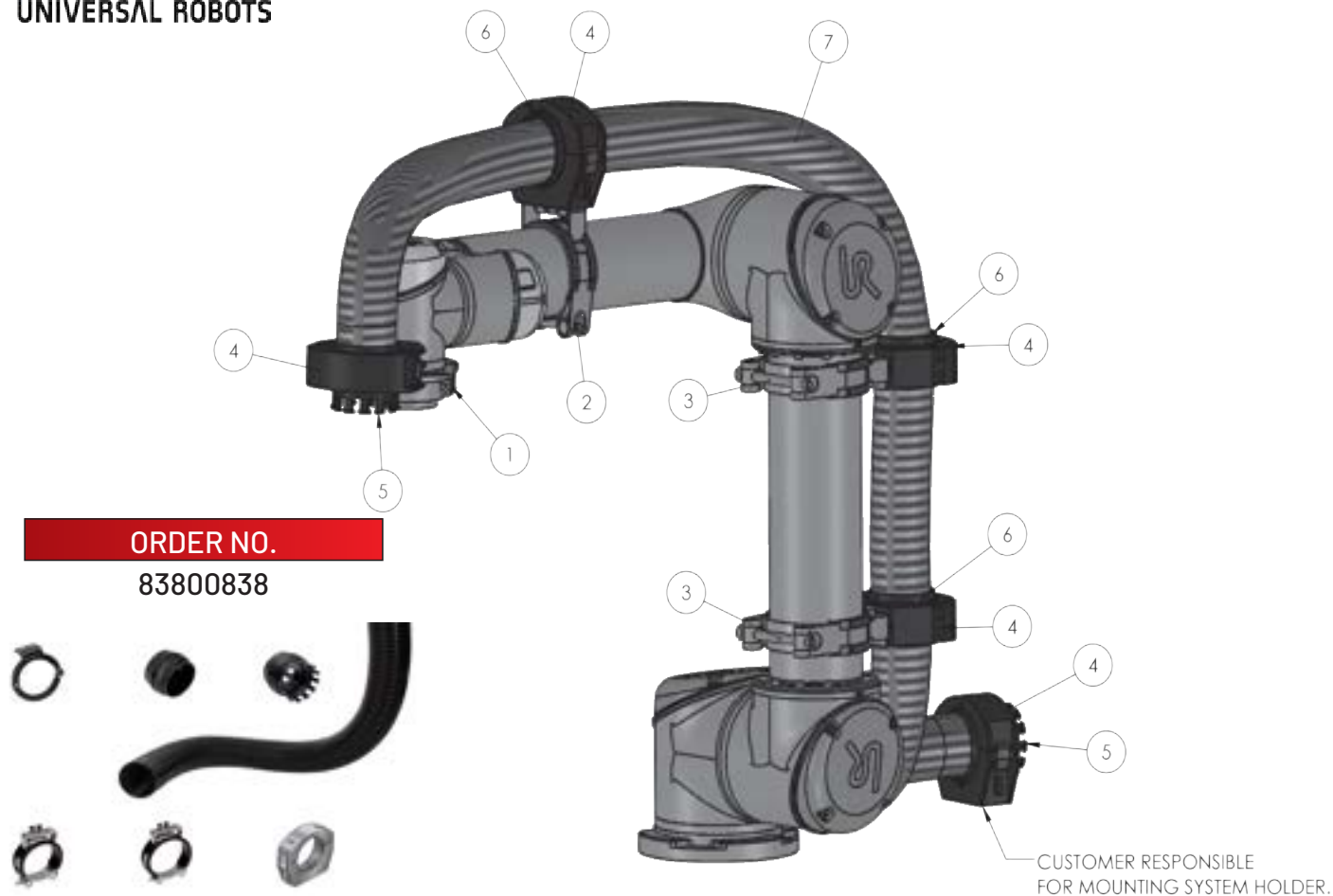
POS.	PART NUMBER	DESCRIPTION	QTY
<b>1</b>		Universal Robots UR16e	
<b>2</b>	83693425	FHS-SH Bracket with 450mm Holder and Loop Strap	3
<b>3</b>	83693203	R-SSR 90 UR10 / UR16e	1
<b>4</b>	83691462	System Holder SH-P / M32-P29	1
<b>5</b>	83691660	KMG/F-M32	3
<b>6</b>	83692260	KEG/ZL-M32	1
<b>7</b>	83203060	EWX-PP-LS M32/P29 Conduit	1pc
<b>8</b>	83723460	ET 29 end grommet	1

# LIGHT DUTY FLEXIBLE HOLDER SYSTEM

## UNIVERSAL ROBOTS FHS-SHS SET UR5 KIT, A1-A6

### PART NUMBER NO.: 83800838

**UR** UNIVERSAL ROBOTS



Drawing for illustration purposes only.

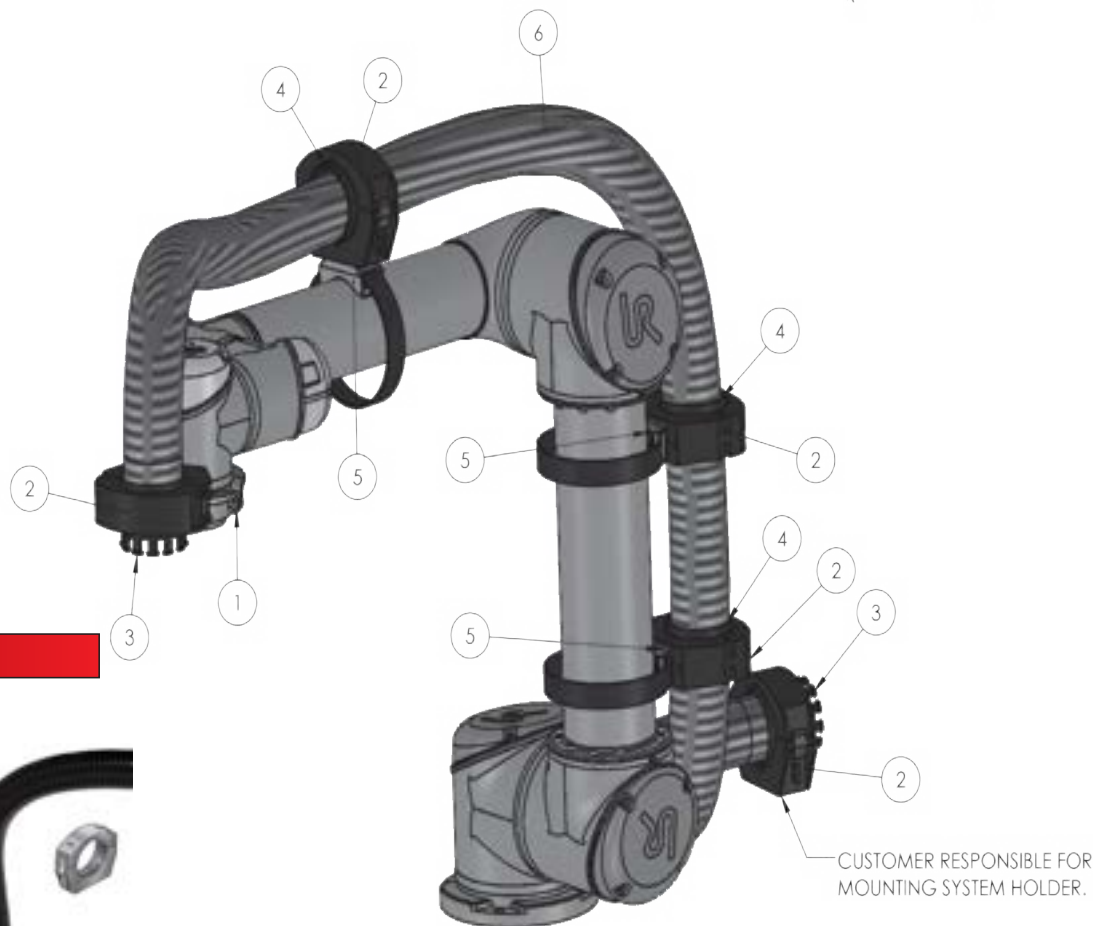
POS.	PART NUMBER	DESCRIPTION	QTY
<b>1</b>	83693202	R-SSR D75 tension clamp UR5	1
<b>2</b>	83693582	System holder clamp SHS 76	1
<b>3</b>	83693584	System holder clamp SHS 88	2
<b>4</b>	83691460	Size 48 System Holder	5
<b>5</b>	83692264	KEG-ZL M50/P48 Strain Relief	2
<b>6</b>	83691664	Fixed Ball Joint	3
<b>7</b>	83181666	EW-PAE M50/P48 Conduit	2.5m

# LIGHT DUTY FLEXIBLE HOLDER SYSTEM

## UNIVERSAL ROBOTS FHS-SH SET UR5 KIT, A1-A6

### PART NUMBER NO.: 83800839

**UR** UNIVERSAL ROBOTS



**ORDER NO.**  
83800839



Drawing for illustration purposes only.

POS.	PART NUMBER	DESCRIPTION	QTY
<b>1</b>	83693202	R-SSR D75 tension clamp UR5	1
<b>2</b>	83691460	Size 48 System Holder	5
<b>3</b>	83692264	KEG-ZL M50/P48 Strain Relief	2
<b>4</b>	83691664	Fixed Ball Joint	3
<b>5</b>	83693422	FHS-SH with all strip lengths	3
<b>6</b>	83181666	EW-PAE M50/P48 Conduit	2.5m

# LIGHT DUTY FLEXIBLE HOLDER SYSTEM

UNIVERSAL ROBOTS FHS-SHS SET UR10/UR16E KIT, A1-A6

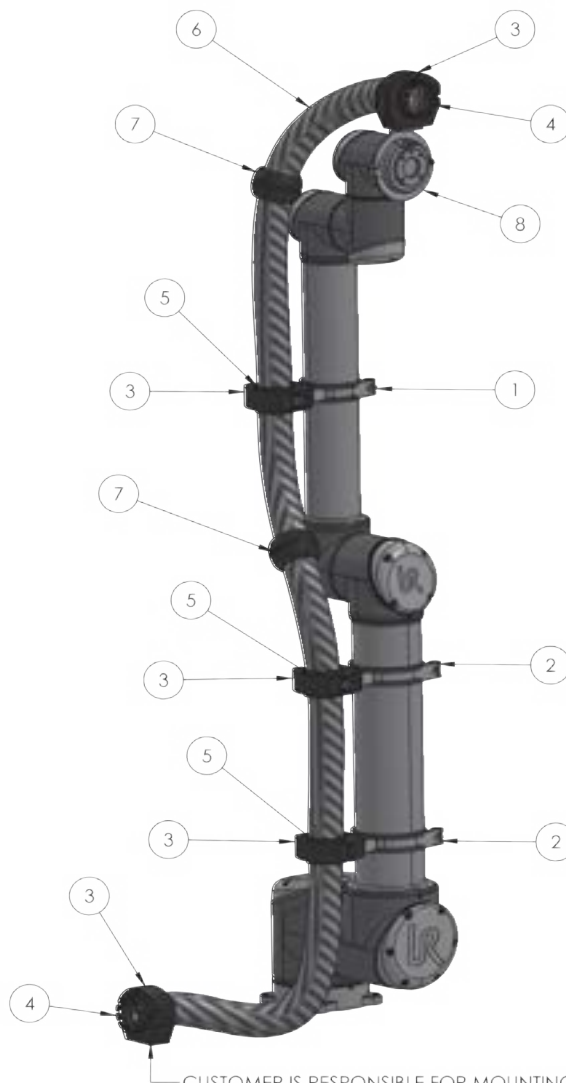
PART NUMBER NO.: 83800858

**UNIVERSAL ROBOTS**

**ORDER NO.**  
83800858



Drawing for illustration purposes only.



CUSTOMER IS RESPONSIBLE FOR MOUNTING THE SYSTEM HOLDER AT J1

POS.	PART NUMBER	DESCRIPTION	QTY
<b>1</b>	83693584	System Holder clamp SHS 88	1
<b>2</b>	83693587	System Holder clamp SHS 108	2
<b>3</b>	83691460	Size 48 System Holder	5
<b>4</b>	83692264	KEG-ZL M50/P48 Strain Relief	2
<b>5</b>	83691664	Fixed Ball Joint	3
<b>6</b>	83182064	EWX-PAE M50/P48 Conduit	3m
<b>7</b>	83691264	Size 48 Strike Guard	2
<b>8</b>	83693203	R-SSR D90 tension clamp UR10	1

# LIGHT DUTY FLEXIBLE HOLDER SYSTEM

## UNIVERSAL ROBOTS FHS-SHS LS SET UR10 KIT, A1-A6

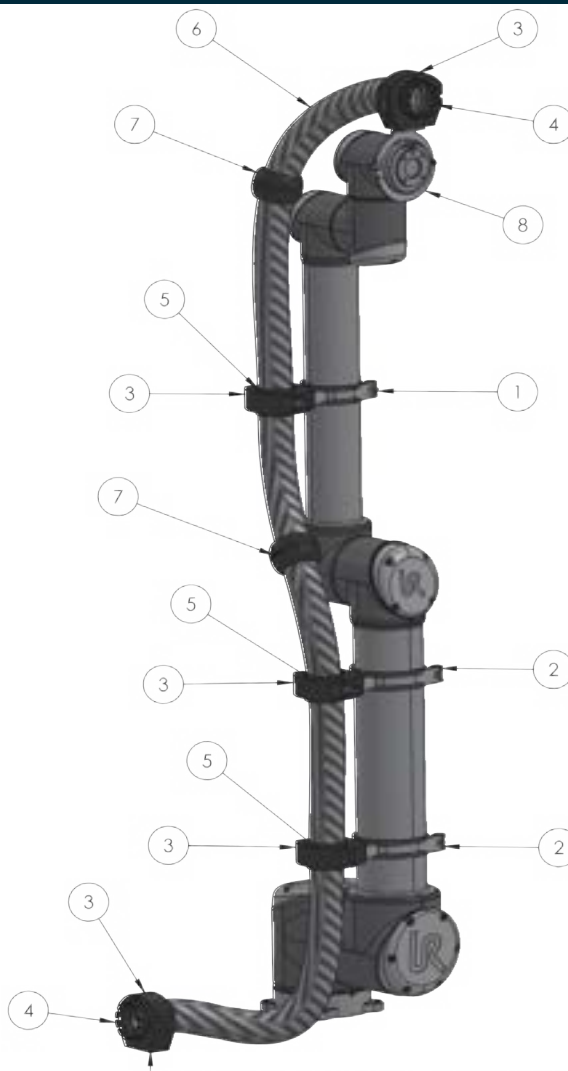
### PART NUMBER NO.: 83800859

**UNIVERSAL ROBOTS**

**ORDER NO.**  
83800859



Drawing for illustration purposes only.



CUSTOMER IS RESPONSIBLE FOR MOUNTING THE SYSTEM HOLDER AT J1

POS.	PART NUMBER	DESCRIPTION	QTY
<b>1</b>	83693584	System Holder clamp SHS 88	1
<b>2</b>	83693587	System Holder clamp SHS 108	2
<b>3</b>	83691460	Size 48 System Holder	5
<b>4</b>	83692264	KEG-ZL M50/P48 Strain Relief	2
<b>5</b>	83691664	Fixed Ball Joint	3
<b>6</b>	83182264	EWX-PAE-LS M50/P48 Conduit	3m
<b>7</b>	83691264	Size 48 Strike Guard	2
<b>8</b>	83693203	R-SSR D90 tension clamp UR10	1

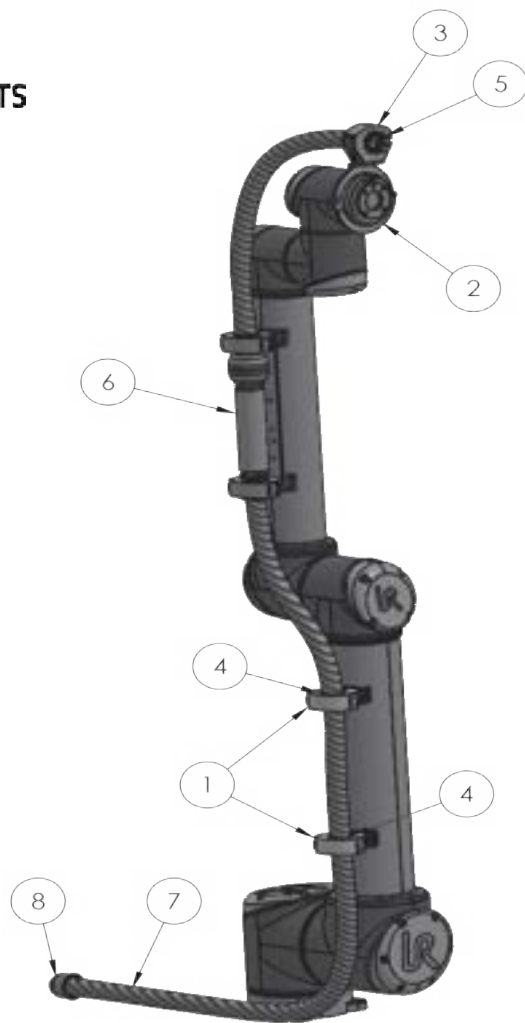


# LIGHT DUTY FLEXIBLE HOLDER SYSTEM

## UNIVERSAL ROBOTS FHS-RS SET UR10 KIT, A1-A6

### PART NUMBER NO.: 83801060

 UNIVERSAL ROBOTS



**ORDER NO.**  
83801060



Drawing for illustration purposes only.

POS.	PART NUMBER	DESCRIPTION	QTY
<b>1</b>	83693425	FHS-SH Bracket with 450mm Holder and Loop Strap	2
<b>2</b>	83693203	R-SSR 90 UR10	1
<b>3</b>	83691462	System Holder SH-P / M25-M32	1
<b>4</b>	83691660	KMG/F-M32 Fixed Ball Joint	2
<b>5</b>	83692260	KEG/ZL-M32 End Ball Joint	1
<b>6</b>	83693414	Retraction System FHS-RS EWX 29-20N	1
<b>7</b>	83182060	EWX-PAE M32/P29 Conduit	3m
<b>8</b>	83723460	ET 29 end grommet	1

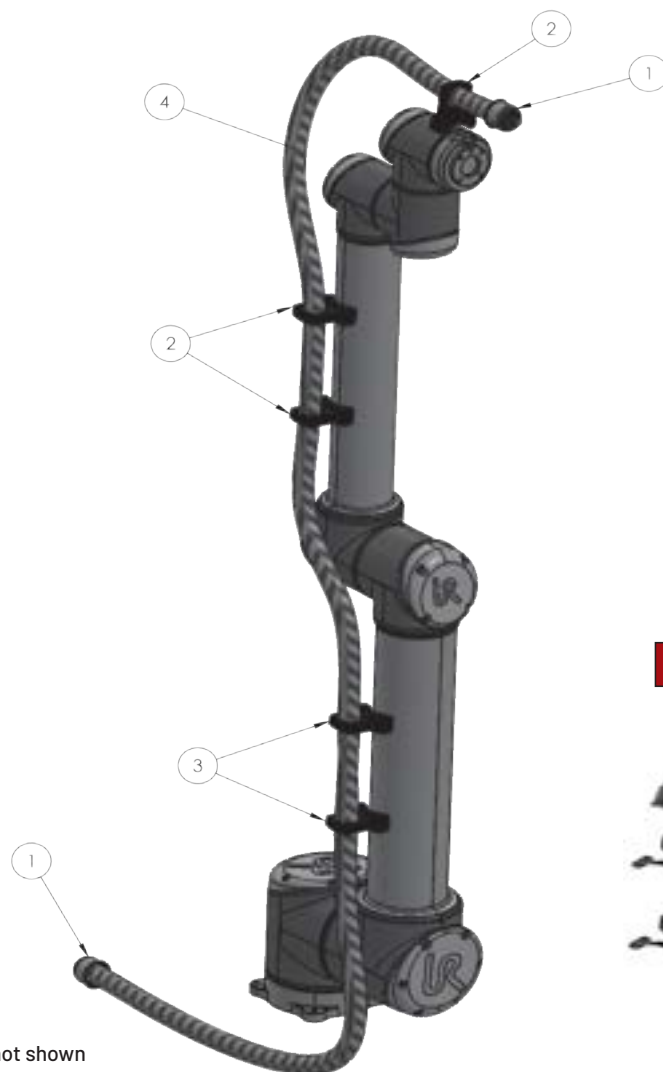
# LIGHT DUTY FLEXIBLE HOLDER SYSTEM

## UNIVERSAL ROBOTS FHS-UHE LS SET UR10 KIT, A1-A6

### PART NUMBER NO.: 83801082



www.murrplastik.com



**ORDER NO.**  
83801082



Note: Hook and loop straps not shown  
Drawing for illustration purposes only.

POS.	PART NUMBER	DESCRIPTION	QTY
<b>1</b>	83723460	ET 29 end grommet	2
<b>2</b>	83693466	FHS-UHE Bracket with 350mm Holder and Loop Strap	3
<b>3</b>	83693467	FHS-UHE Bracket with 450mm Holder and Loop Strap	2
<b>4</b>	83203060	EWX-PP-LS M32/P29 Conduit	3m

# LIGHT DUTY FLEXIBLE HOLDER SYSTEM

## UNIVERSAL ROBOTS FHS-UHE-SET UR10 KIT, A1-A6

### PART NUMBER NO.: 83801083



**ORDER NO.**  
83801083



Note: Hook and loop straps not shown  
Drawing for illustration purposes only.

POS.	PART NUMBER	DESCRIPTION	QTY
<b>1</b>	83723460	ET 29 end grommet	2
<b>2</b>	83693466	FHS-UHE Bracket with 350mm Holder and Loop Strap	3
<b>3</b>	83693467	FHS-UHE Bracket with 450mm Holder and Loop Strap	2
<b>4</b>	83181662	EW-PAE M32/P29 Conduit	3m

# LIGHT DUTY FLEXIBLE HOLDER SYSTEM

## YASKAWA HC10 FHS-C KIT SIZE 29, A1-A6

PART NUMBER NO.: 83800505



www.murrplastik.com

**YASKAWA**



**ORDER NO.**  
83800505

Customer responsible for mounting at J1.

Note: Hook and loop straps not shown  
Drawing for illustration purposes only.

POS.	PART NUMBER	DESCRIPTION	QTY
<b>1</b>	83723460	ET 29 end grommet	2
<b>2</b>	83693447	FHS-C Bracket with 550mm Hook and Loop Strap	4
<b>3</b>	83182060	EWX-PAE Size 29 Conduit	3m

# LIGHT DUTY FLEXIBLE HOLDER SYSTEM

## YASKAWA HC20 FHS-C KIT, A1-A6

PART NUMBER NO.: 83800656

**YASKAWA**



Note: Hook and loop straps not shown  
Drawing for illustration purposes only.

**ORDER NO.**  
83800656



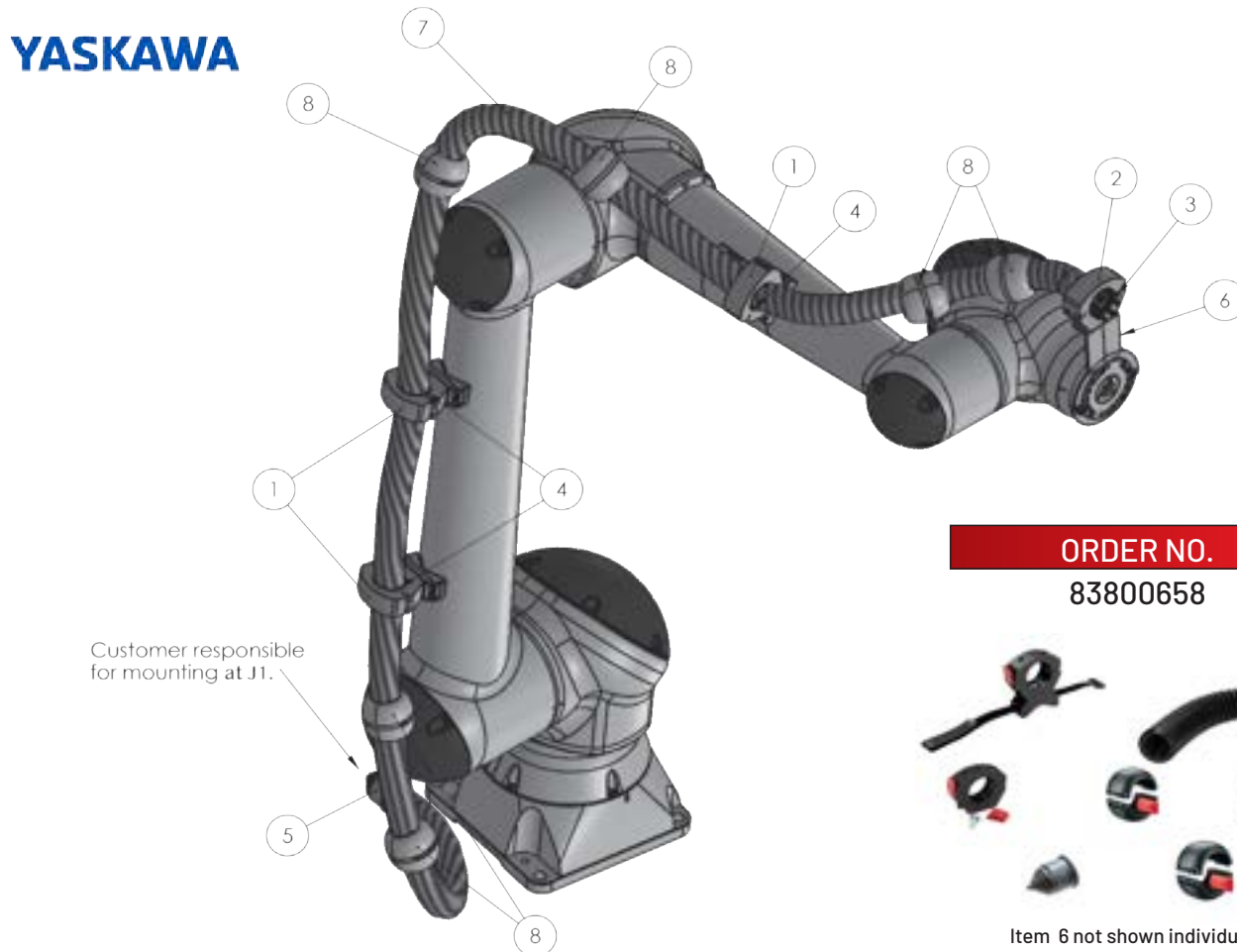
Items 5 and 6 not shown individually

POS.	PART NUMBER	DESCRIPTION	QTY
<b>1</b>	83693449	FHS-C Bracket with 750mm Hook and Loop Strap	2
<b>2</b>	83691460	Size 48 System Holder	3
<b>3</b>	83692264	KEG-ZL M50/P48 Strain Relief	2
<b>4</b>	83691064	Size 48 EW Stirke Guard	6
<b>5</b>	83800655	100D UR Wrist Support	1
<b>6</b>	83800653	A4 SH Mount Plate	1
<b>7</b>	83691664	Fixed Ball Joint	1
<b>8</b>	83181666	EW-PAE Size 48 Conduit	4m

# LIGHT DUTY FLEXIBLE HOLDER SYSTEM

## YASKAWA HC10 FHS-SH KIT, A1-A6

PART NUMBER NO.: 83800658



Note: Hook and loop straps not shown  
Drawing for illustration purposes only.

POS.	PART NUMBER	DESCRIPTION	QTY
<b>1</b>	83693427	FHS-SH Bracket with 550mm Holder and Loop Strap	3
<b>2</b>	83691462	Size 29 System Holder	1
<b>3</b>	83692260	Size 29 End Ball Joint	1
<b>4</b>	83691060	Size 29 Fixed Ball Joint	3
<b>5</b>	83723460	ET 29 end grommet	1
<b>6</b>	83800654	80D UR Wrist Support	1
<b>7</b>	83182060	EWX-PAE Size 29 Conduit	2.5m
<b>8</b>	83691260	Size 29 Strike Guard	6



# LIGHT DUTY FLEXIBLE HOLDER SYSTEM

## YASKAWA HC20DTP FHS-C KIT, A1-A6

PART NUMBER NO.: 83800660

**YASKAWA**



Note: Hook and loop straps not shown  
Drawing for illustration purposes only.

POS.	PART NUMBER	DESCRIPTION	QTY
<b>1</b>	83693449	FHS-C Bracket with 750mm Hook and Loop Strap	2
<b>2</b>	83691460	Size 48 System Holder	3
<b>3</b>	83692264	KEG-ZL M50/P48 Strain Relief	2
<b>4</b>	83691064	Size 48 EW Strike Guard	6
<b>5</b>	83800659	63D UR Wrist Support	1
<b>6</b>	83800653	A4 SH Mount Plate	1
<b>7</b>	83691664	Fixed Ball Joint	1
<b>8</b>	83181666	EW-PAE Size 48 Conduit	4m

# LIGHT DUTY FLEXIBLE HOLDER SYSTEM

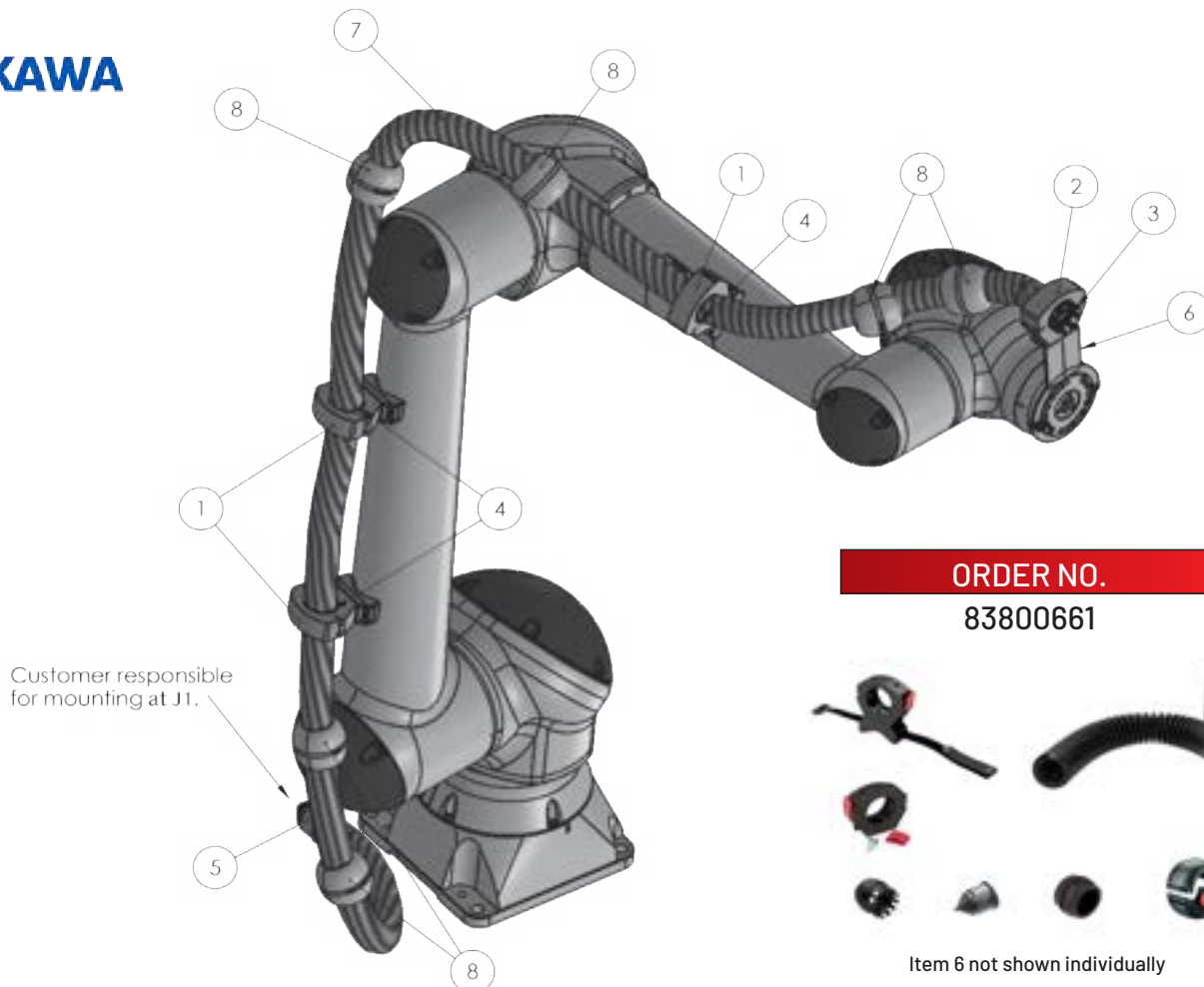
YASKAWA HC10DTP FHS-SH WITH STRIKE GUARDS KIT, A1-A6

PART NUMBER NO.: 83800661



www.murrplastik.com

**YASKAWA**



Note: Hook and loop straps not shown  
Drawing for illustration purposes only.

POS.	PART NUMBER	DESCRIPTION	QTY
<b>1</b>	83693427	FHS-HS Bracket with 550mm Holder and Loop Strap	3
<b>2</b>	83691462	Size 29 System Holder	1
<b>3</b>	83692260	Size 29 End Ball Joint	1
<b>4</b>	83691660	Size 29 Fixed Ball Joint	3
<b>5</b>	83723460	ET 29 end grommet	1
<b>6</b>	83800659	63D UR Wrist Support	1
<b>7</b>	83182060	EWX-PAE Size 29 Conduit	2.5m
<b>8</b>	83691260	Size 29 Strike Guard	6

# LIGHT DUTY FLEXIBLE HOLDER SYSTEM YASKAWA HC10DTP FHS-C KIT, A1-A6

PART NUMBER NO.: 83800692



Note: Hook and loop straps not shown.  
Drawing for illustration purposes only.

POS.	PART NUMBER	DESCRIPTION	QTY
<b>1</b>	83693447	FHS-C Bracket with 550mm Hook and Loop Strap	3
<b>2</b>	83723460	End Grommet M32/P29	1
<b>3</b>	83800691	Ø63mm Wrist Support	1
<b>4</b>	83691462	Size 29 System Holder	1
<b>5</b>	83692260	Size 29 End Ball Joint	1
<b>6</b>	83182060	EWX-PAE M32/P29 Conduit	3.5m

# LIGHT DUTY FLEXIBLE HOLDER SYSTEM YASKAWA HC10DTP FHS-SH KIT, A1-A6 PART NUMBER NO.: 83800693

**YASKAWA**



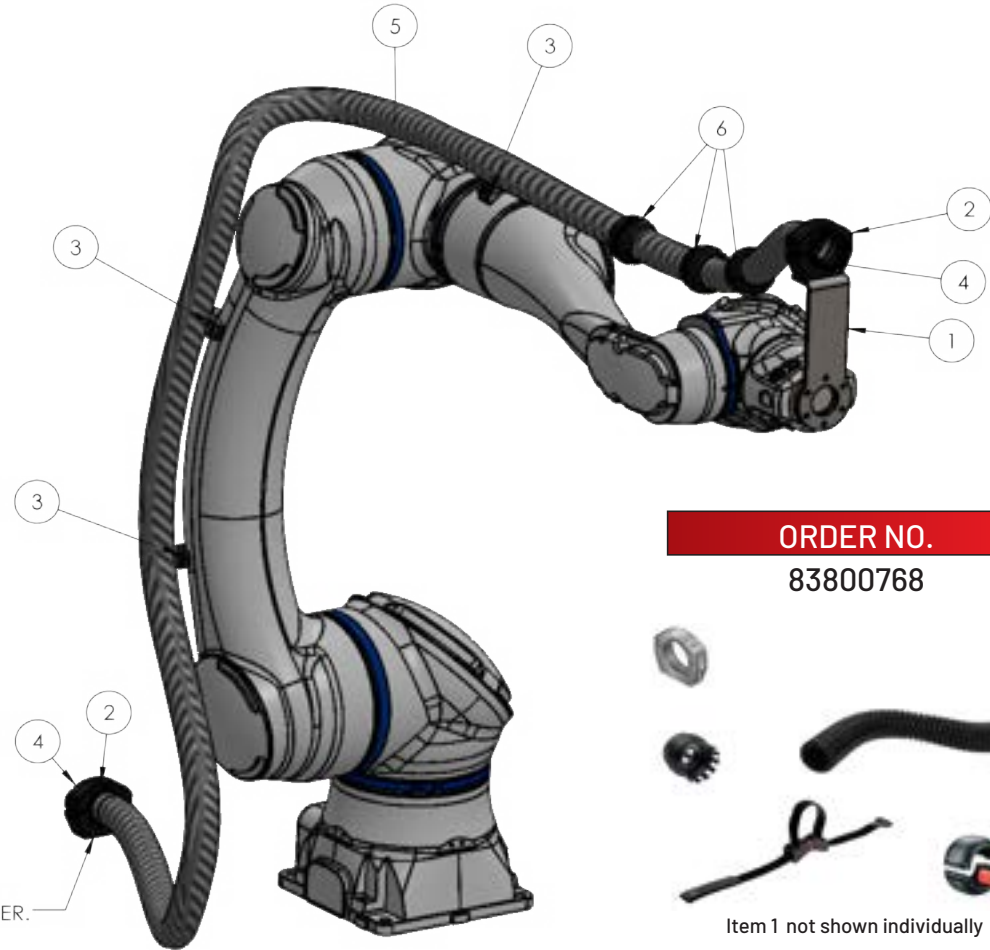
Note: Hook and loop straps not shown  
Drawing for illustration purposes only.

POS.	PART NUMBER	DESCRIPTION	QTY
<b>1</b>	83723460	End Grommet M32/P29	1
<b>2</b>	83693427	FHS-SH Bracket with 550mm Holder and Loop Strap	3
<b>3</b>	83691660	Size 29 Fixed Ball Joint	3
<b>4</b>	83691462	Size 29 System Holder	1
<b>5</b>	83800695	Motoman HC20 Wrist Support	1
<b>6</b>	83692260	Size 29 Ball Joint KEG/ZL	1
<b>7</b>	83182060	EWX-PAE Size 29 Conduit	3.5m

# LIGHT DUTY FLEXIBLE HOLDER SYSTEM YASKAWA HC20DT FHS-C KIT, A1-A6

PART NUMBER NO.: 83800768

**YASKAWA**



CUSTOMER RESPONSIBLE  
FOR MOUNTING SYSTEM HOLDER.

Note: Hook and loop straps not shown  
Drawing for illustration purposes only.

POS.	PART NUMBER	DESCRIPTION	QTY
<b>1</b>	83800695	Motoman HC20 Wrist Support	1
<b>2</b>	83691460	Size 48 System Holder	2
<b>3</b>	83693449	FHS-C Bracket with 750mm Hook and Loop Strap	3
<b>4</b>	83692264	KEG-ZL M50/P48 Strain Relief	2
<b>5</b>	83182064	EWX-PAE M50/P48 Conduit	4m
<b>6</b>	83691264	Size 48 EW Stirke Guard	3

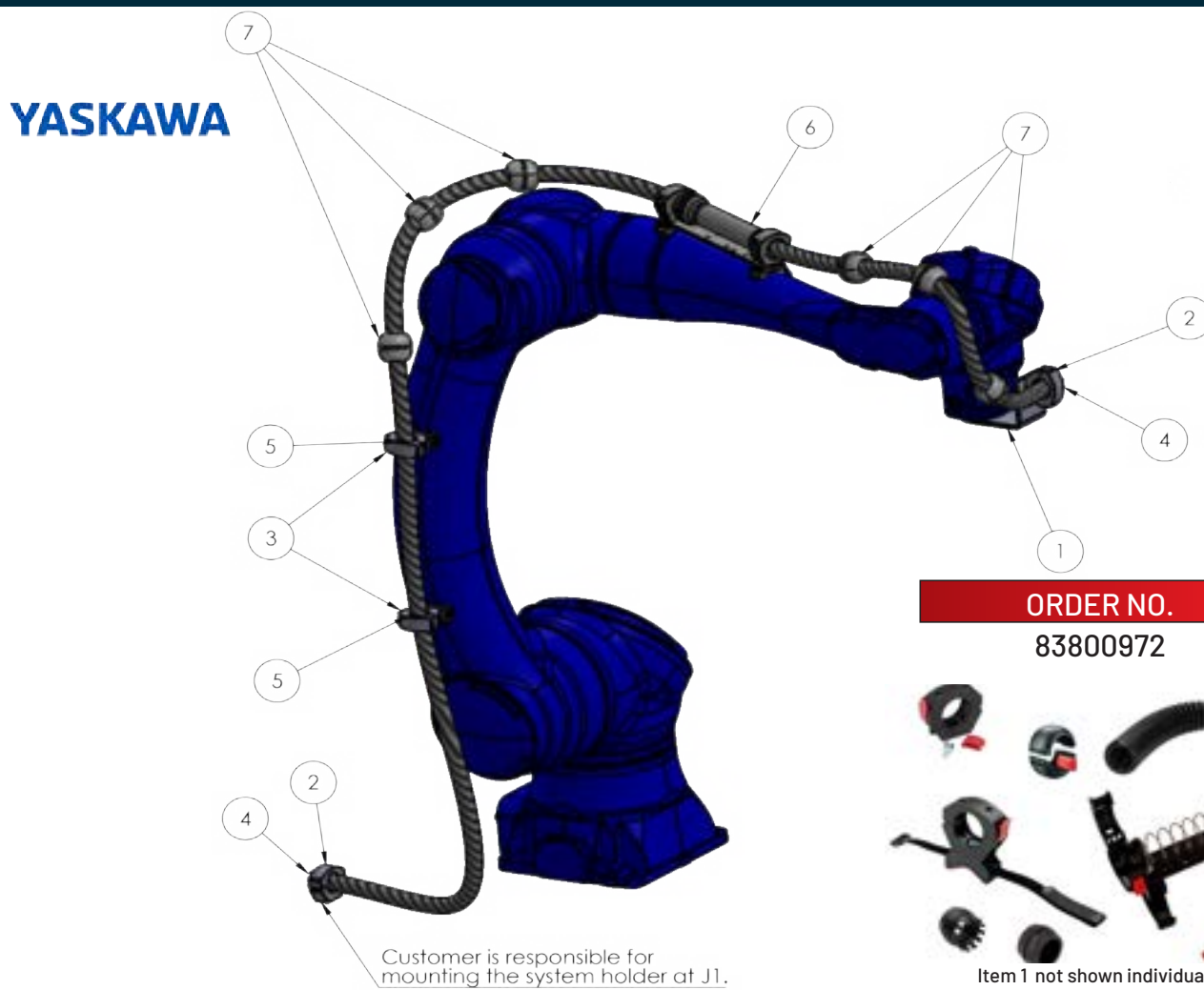
# LIGHT DUTY FLEXIBLE HOLDER SYSTEM

## YASKAWA HC30PL FHS-SH KIT SIZE 29, A1-A6

### PART NUMBER NO.: 83800972



www.murrplastik.com



Customer is responsible for mounting the system holder at J1.

Item 1 not shown individually

Note: Hook and loop straps not shown  
Drawing for illustration purposes only.

POS.	PART NUMBER	DESCRIPTION	QTY
<b>1</b>	83800975	63D Wrist Support	1
<b>2</b>	83691462	Size 29 System Holder	2
<b>3</b>	83693429	FHS-HS Bracket with 750mm Holder and Loop Strap	2
<b>4</b>	83692260	Size 29 End Ball Joint KEG/ZL	2
<b>5</b>	83691660	Size 29 Fixed Ball Joint	2
<b>6</b>	83693414	FHS Recirculation System Size 29 EWX	1
<b>7</b>	83691260	EWX-PAE Size 29 Strike Guard	6
<b>8</b>	83182060	EWX-PAE Size 29 Conduit	4m



# LIGHT DUTY FLEXIBLE HOLDER SYSTEM UNIVERSAL KITS, A1-A6

PART NUMBER NO.: 83693525 AND 83693526



www.murrplastik.com

Sets specially adapted to the cable routing on cobots and small robots. The robot kit UNI offers the possibility of professional cable routing on almost all models. The assembly includes the protective conduit, end sleeves and the appropriate fastening with non-slip hook-and-loop tape. Hook-and-loop tapes in four different lengths are included for each fixing point, from which the appropriate one can be selected.

For an easier installation of pre-assembled cables, the protective conduit in slotted version is included in the FHS-C set UNI-LS.



### ORDER NO.

83693525

FHS-C SET UNI

PART NO.	DESCRIPTION	QTY
83693442	FHS-C Set with all lengths of straps	5
83202860	EWX-PP M32//P29 conduit	1m
83723460	ET 29 end grommet	2

### ORDER NO.

83693526


FHS-C SET UNI-LS


PART NO.	DESCRIPTION	QTY
83693442	FHS-C Set with all lengths of straps	5
83203060	EWX-PP-LS M32//P29 conduit	2m
83729010	Cable running tool	1
83723460	ET 29 end grommet	2








## FULL PRODUCT LINEUP


ORDER NO.	TYPE	
83693411	FHS-RS EW 21 - 20N	
83693412	FHS-RS EWX 21 - 20N	
83693413	FHS-RS EW 29 - 20N	
83693414	FHS-RS EWX 29 - 20N	


83693402	KKR-Fix 350	
83693404	KKR-Fix 450	
83693406	KKR-Fix 550	
83693408	KKR-Fix 750	

83182258	EWX-PAE-LS M25/P21	
83182260	EWX-PAE-LS M32/P29	
83182058	EWX-PAE M25/P21	
83182060	EWX-PAE M32/P29	

83723458	ET 21	
83723460	ET 29	

83729010	Wire Insertion Tool for Slit Conduit EWX-PAE-LS	
----------	---	---


83691462	SH/P M25-M32	
----------	--------------	---


83692258	KEG/ZL-M25	
83692260	KEG/ZL-M32	

83691658	KMG/F-M25	
83691660	KMG/F-M32	

ORDER NO.	TYPE	
83693442	FHS-C Set*	
83693443	FHS-C 350	
83693445	FHS-C 450	
83693447	FHS-C 550	
83693449	FHS-C 750	

83693422	FHS-SH Set*	
83693423	FHS-SH 350	
83693425	FHS-SH 450	
83693427	FHS-SH 550	
83693429	FHS-SH 750	

83693460	FHS-UHE M25/P21 Set*	
83693461	FHS-UHE M25/P21 350	
83693462	FHS-UHE M25/P21 450	
83693463	FHS-UHE M25/P21 550	
83693464	FHS-UHE M25/P21 750	

83693465	FHS-UHE M32/P29 Set*	
83693466	FHS-UHE M32/P29 350	
83693467	FHS-UHE M32/P29 450	
83693468	FHS-UHE M32/P29 550	
83693469	FHS-UHE M32/P29 750	

## Murrplastik Systems, Inc.

1175 US 50 Hwy.  
Milford, OH. 45150  
United States of America

USA: +1 (513) 201-3069  
CAN: +1 (647) 260-9860  
customerservice@murrplastik.com

More info at

[murrplastik.com](https://murrplastik.com)