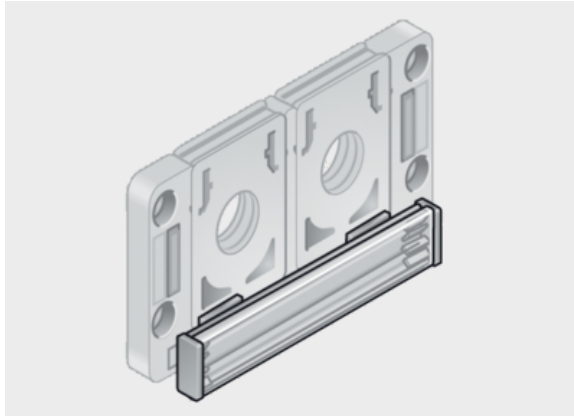




## SKDL/E (for cable entry plate KDL/E)



### Product information

Adapter set for KDL/E cable entry system

The labeling set for the KDL/E cable entry system was developed as a simple means of accommodating a great deal of labeling information in or on the KDL/E cable entry system.

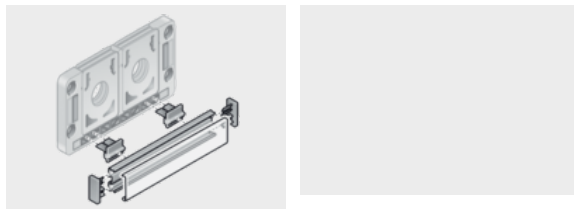
Adapted to various cable entry systems, different versions are available.

The set consists of a holder, label rail for KS 9/x or KS 15/x labels, sealing plug and transparent cover.

An alternative to the adapter set

The KS KDL/E label, for direct mounting on the KDL/E cable entry system. (Order No. 86421090)

### Information, conformities and approvals



Article	Order No.	Recommended Label	PU pcs.
BZS 9 SKDL/E 16	86301232	KS 9/x	1
BZS 9 SKDL/E 24	86301236	KS 9/x	1
BZS 15 SKDL/E 16	86301234	KS 15/x	1
BZS 15 SKDL/E 24	86301238	KS 15/x	1

### Material properties



Polyvinyl chloride (PVC)

### Thermal properties



Temperature / temperature range

-40 °C - 80 °C

### Fire properties



Fire classification

V0



## SKDL/E (for cable entry plate KDL/E)

### Classification

ETIM 9: EC000141  
ECLASS 14: 27144009  
UNSPSC 26.0801: 39131504

### General technical data



Assembly method

0001000010000

### Assembly method



Cable tie system with plate



Snap-fit system