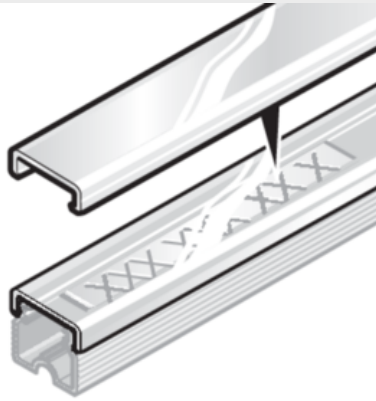




BZS and BZS/F labeling rail - cover



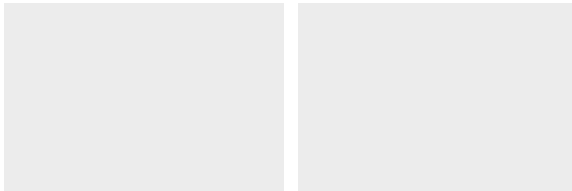
Product information

Transparent cover for BZS and BZS/F label holders.

The cover can be cut to any length.

They are available in 9 mm and 15 mm widths.

Information, conformities and approvals



Article	Order No.	Color	Length mm	Width mm	PU pcs.
Transparent cover for BZS and BZS/F label rail in 9 mm width					
BZS 09 - 500 cover	86301242	Transparent	500	9	25
BZS 09 - 600 cover	86301244	Transparent	600	9	25
BZS 09 - 1000 cover	86301246	Transparent	1000	9	25
BZS 09 - 1300 cover	86301248	Transparent	1300	9	25
Transparent cover for BZS and BZS/F label rail in 15 mm width					
BZS 15 - 430 cover	86301283	Transparent	430	15	25
BZS 15 - 500 cover	86301282	Transparent	500	15	25
BZS 15 - 600 cover	86301284	Transparent	600	15	25
BZS 15 - 630 cover	86301285	Transparent	630	15	25
BZS 15 - 650 cover	86301287	Transparent	650	15	25
BZS 15 - 1000 cover	86301286	Transparent	1000	15	25
BZS 15 - 1300 cover	86301288	Transparent	1300	15	25



BZS and BZS/F labeling rail – cover

Material properties



Polyvinyl chloride (PVC)

Thermal properties



Temperature / temperature range

-40 °C – 80 °C

Fire properties



Fire classification

V0

Classification

ETIM 9: EC000141
ECLASS 14: 27144009
UNSPSC 26.0801: 39131504

Assembly method



Snap-fit system